

8

7

6

5

4

3

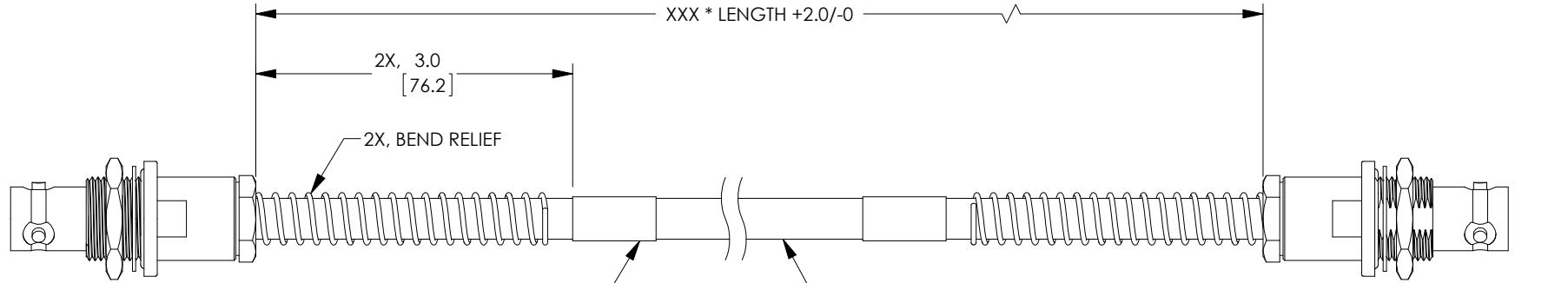
2

1

PROPRIETARY NOTICE

This document discloses confidential subject matter in which MilesTek Corporation and its subsidiaries have proprietary rights. Neither receipt nor possession thereof confers or transfers any right to reproduce or disclose the document, any part thereof, any information contained therein, or any physical article or device, or to practice any method or process, except by written permission from, or written agreement with MilesTek Corporation and its subsidiaries.

MSA00174-XXXN	REVISIONS			
	REV	DESCRIPTION	DATE	APPROVED
	A	INITIAL RELEASE	06/30/17	J.YOU
	B	ECN 8899: REVISE NOTE 1 TO NOTE 2, DESCR., TITLE, ADD DETAIL	9/12/17	D.FRISIELLO

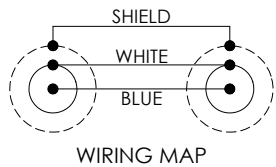
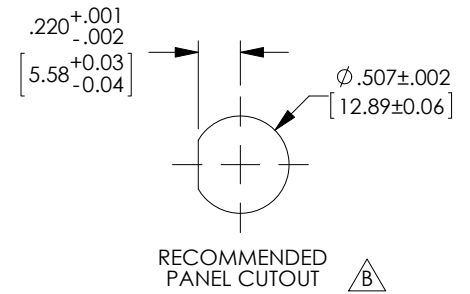


2X, TRB 3-LUG JACK
NON-INSULATED
BULKHEAD
WITH BEND RELIEF

LABEL INFORMATION

MSA00174-XXXN
4Z977
DATE CODE
(SEE NOTE 2)

124 OHM TWINAX CABLE
JACKET: PLENUM, BLUE
NOM. DIA: .242" [6.15]
MAX. OPER. TEMP: +125°C



LENGTH CODE CHART		
CABLE # & LENGTH	LENGTH SYMBOL	EXAMPLES OF PART # USED
MSA00174-XXXN	WHERE XXX = LENGTH IN INCHES	MSA00174-12N (12.0 INCHES)

NON CONTROLLED DRAWING IF PRINTED

NOTES:

- *XXX = LENGTH IN INCHES
- CABLES 48" AND UNDER HAVE 1 LABEL CENTERED. CABLES OVER 48" HAVE 2 LABELS, ONE AT EACH END 3.0" FROM THE BACK OF THE CONNECTOR.
- CABLE ASSEMBLY SHALL BE TESTED FOR CONTINUITY.

AS9100C CERTIFIED		CAD SYSTEM DRAWING - DO NOT REVISE MANUALLY			
UNLESS OTHERWISE SPECIFIED ALL DIMENSIONS ARE IN INCHES		SIGNATURE	DATE	<p>MILESTEK CORPORATION 1506 INTERSTATE 35 WEST DENTON, TX 76207 PHONE: 866.524.1553 FAX: 940.591.7086</p>	
OVERALL CABLE LENGTH TOLERANCE: ≤12 [305] = +1 [25] / -0 >12 [305] ≤60 [1524] = +2 [51] / -0 >60 [1524] ≤120 [3048] = +4 [102] / -0 >120 [3048] ≤300 [7620] = +6 [152] / -0 >300 [7620] = +5% / -0%		DRAWN BY: J.YOU	06/30/17		
ALL OTHER DIMENSIONAL TOLERANCES: .X = ±.2 [5.08] .XX = ±.02 [5.1] .XXX = ±.005 [1.3]		CHECKED BY: M.HEARN	06/30/17	DRAWING NUMBER: MSA00174-XXXN	
CUSTOMER REFERENCE DOCUMENT:		APPROVED ENGINEERING: M.HEARN	06/30/17	SCALE: NTS	
DASH	NEXT ASSY	USED ON	CUSTOMER APPROVAL		SHEET 1 OF 1
APPLICATION			CAGE CODE: 4Z977		

8

7

6

5

4

3

2

1