

8

7

6

5

4

3

2

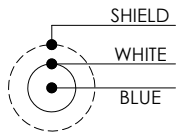
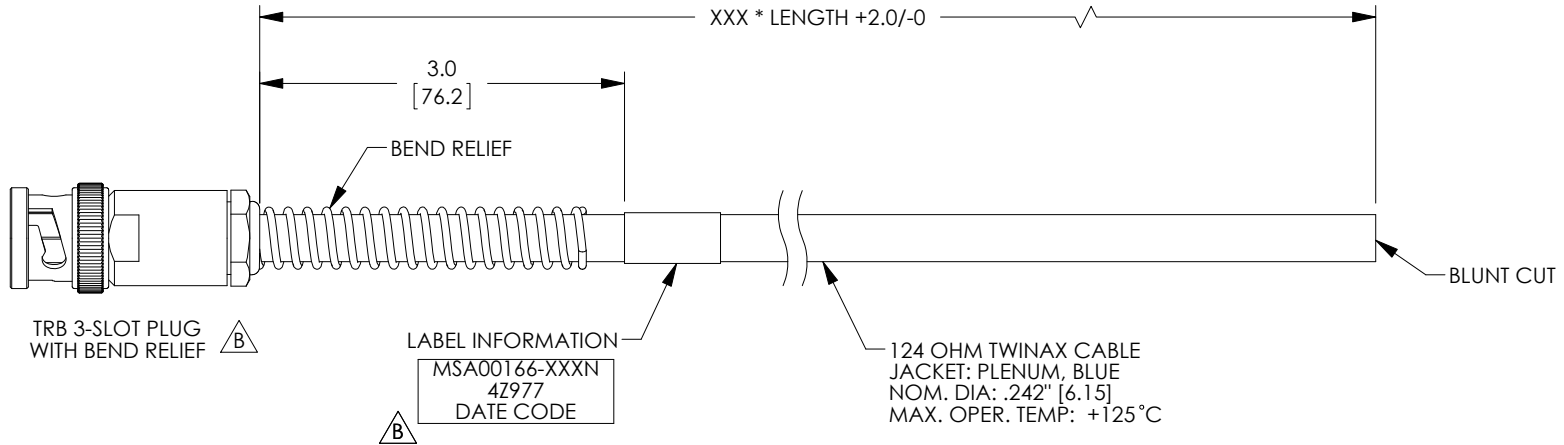
1

PROPRIETARY NOTICE

This document discloses confidential subject matter in which MilesTek Corporation and its subsidiaries have proprietary rights. Neither receipt nor possession thereof confers or transfers any right to reproduce or disclose the document, any part thereof, any information contained therein, or any physical article or device, or to practice any method or process, except by written permission from, or written agreement with MilesTek Corporation and its subsidiaries.

MSA00166-XXXN  
A

REVISIONS			
REV	DESCRIPTION	DATE	APPROVED
A	INITIAL RELEASE	06/30/17	J.YOU
B	ECN 8899: DELETE NOTE 2, REVISE DESCRIPTIONS, TITLE	9/8/17	D.FRISIELLO



LENGTH CODE CHART		
CABLE # & LENGTH	LENGTH SYMBOL	EXAMPLES OF PART # USED
MSA00166-XXXN	WHERE XXX = LENGTH IN INCHES	MSA00166-12N (12.0 INCHES)

### NON CONTROLLED DRAWING IF PRINTED $\triangle B$



NOTES:

- \*XXX = LENGTH IN INCHES
- CABLE ASSEMBLY SHALL BE TESTED FOR CONTINUITY.

AS9100C CERTIFIED			CAD SYSTEM DRAWING - DO NOT REVISE MANUALLY			
UNLESS OTHERWISE SPECIFIED ALL DIMENSIONS ARE IN INCHES			SIGNATURE	DATE	<b>MilesTek</b>	MILESTEK CORPORATION 1506 INTERSTATE 35 WEST DENTON, TX 76207 PHONE: 866.524.1553 FAX: 940.591.7086
OVERALL CABLE LENGTH TOLERANCE: ≤12 [305] = +1 [25] / -0 >12 [305] ≤60 [1524] = +2 [51] / -0 >60 [1524] ≤120 [3048] = +4 [102] / -0 >120 [3048] ≤300 [7620] = +6 [152] / -0 >300 [7620] = +5% / -0%			DRAWN BY: J.YOU	06/30/17		
ALL OTHER DIMENSIONAL TOLERANCES: .X = ±.2 [5.08] .XX = ±.02 [5.1] .XXX = ±.005 [1.3]			CHECKED BY: M.HEARN	06/30/17	CA PLN TWNX PBR-BLNT	
DASH NEXT ASSY USED ON APPLICATION			APPROVED ENGINEERING: M.HEARN	06/30/17	DRAWING NUMBER: MSA00166-XXXN	
CUSTOMER REFERENCE DOCUMENT:			APPROVED MANUFACTURING:	CUSTOMER APPROVAL	SCALE: NTS	SHEET 1 OF 1
CAGE CODE: 4Z977			CUSTOMER APPROVAL			

8

7

6

5

4

3

2

1