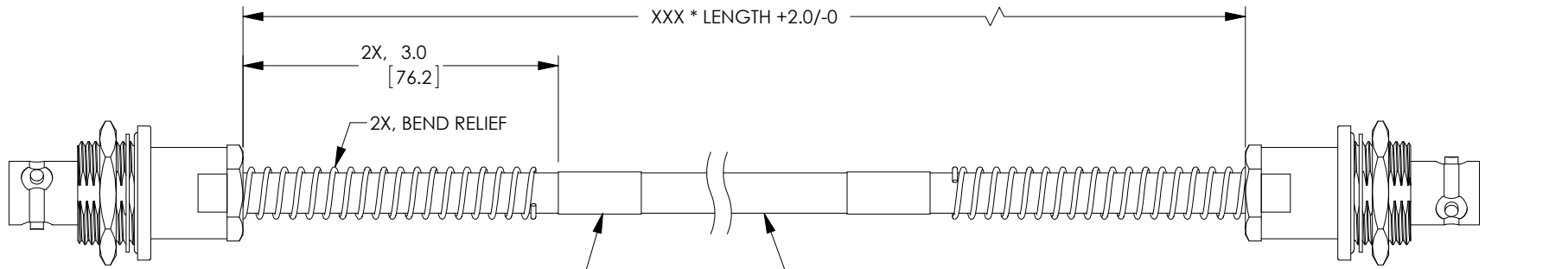


8 7 6 5 4 3 2 1

PROPRIETARY NOTICE
 This document discloses confidential subject matter in which MilesTek Corporation and its subsidiaries have proprietary rights. Neither receipt nor possession thereof confers or transfers any right to reproduce or disclose the document, any part thereof, any information contained therein, or any physical article or device, or to practice any method or process, except by written permission from, or written agreement with MilesTek Corporation and its subsidiaries.

REV	REVISIONS		
	DESCRIPTION	DATE	APPROVED
A	INITIAL RELEASE	06/30/17	J.YOU
B	ECN 8899: REVISE NOTE 1 TO NOTE 2, DESCR., TITLE, ADD DETAIL	9/7/17	D.FRISIELLO

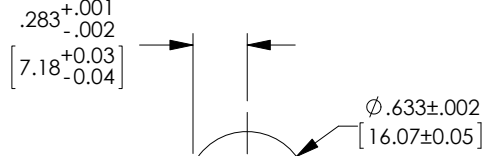


2X, TRB 3-LUG JACK
 INSULATED
 BULKHEAD
 WITH BEND RELIEF

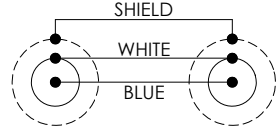
LABEL INFORMATION
 MSA00111-XXXX
 4Z977
 DATE CODE

78 OHM TWINAX CABLE
 JACKET: PLENUM, BLUE
 NOM. DIA: .242" [6.15]
 MAX. OPER. TEMP: +125°C

(SEE NOTE 2)



RECOMMENDED
 PANEL CUTOUT



WIRING MAP

LENGTH CODE CHART		
CABLE # & LENGTH	LENGTH SYMBOL	EXAMPLES OF PART # USED
MSA00111-XXXX	WHERE XXX = LENGTH IN INCHES	MSA00111-12N (12.0 INCHES)

NON CONTROLLED DRAWING IF PRINTED

- NOTES:**
- *XXX = LENGTH IN INCHES
 - CABLES 48" AND UNDER HAVE 1 LABEL CENTERED. CABLES OVER 48" HAVE 2 LABELS, ONE AT EACH END 3.0" FROM THE BACK OF THE CONNECTOR.
 - CABLE ASSEMBLY SHALL BE TESTED FOR CONTINUITY.

AS9100C CERTIFIED		CAD SYSTEM DRAWING - DO NOT REVISE MANUALLY			
DASH	NEXT ASSY	USED ON	SIGNATURE	DATE	
			J.YOU	06/30/17	
UNLESS OTHERWISE SPECIFIED ALL DIMENSIONS ARE IN INCHES OVERALL CABLE LENGTH TOLERANCE: ≤12 [305] = +1 [25] / -0 >12 [305] ≤60 [1524] = +2 [51] / -0 >60 [1524] ≤120 [3048] = +4 [102] / -0 >120 [3048] ≤300 [7620] = +6 [152] / -0 >300 [7620] = +5% / -0% ALL OTHER DIMENSIONAL TOLERANCES: .X = ±.2 [5.08] .XX = ±.02 [5.1] .XXX = ±.005 [13]			CHECKED BY:	06/30/17	MILESTEK CORPORATION 1506 INTERSTATE 35 WEST DENTON, TX 76207 PHONE: 866.524.1553 FAX: 940.591.7086
				M.HEARN	
CUSTOMER REFERENCE DOCUMENT:			APPROVED ENGINEERING:	06/30/17	TITLE
				M.HEARN	06/30/17
APPLICATION			CUSTOMER APPROVAL		SIZE
					A
CAGE CODE: 4Z977			DRAWING NUMBER:		MSA00111-XXXX
			SCALE: NTS		

8 7 6 5 4 3 2 1