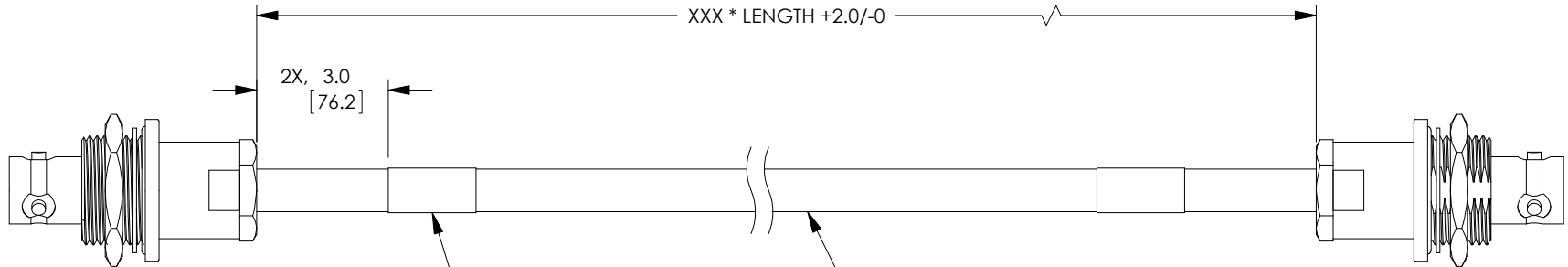


PROPRIETARY NOTICE

This document discloses confidential subject matter in which MilesTek Corporation and its subsidiaries have proprietary rights. Neither receipt nor possession thereof confers or transfers any right to reproduce or disclose the document, any part thereof, any information contained therein, or any physical article or device, or to practice any method or process, except by written permission from, or written agreement with MilesTek Corporation and its subsidiaries.

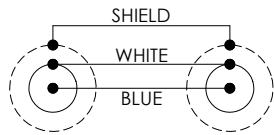
REVISIONS			
REV	DESCRIPTION	DATE	APPROVED
A	INITIAL RELEASE	06/30/17	J.YOU
B	ECN 8899: REVISE NOTE 1 TO NOTE 2, DESCR., TITLE, ADD DETAIL	9/7/17	D.FRISIELLO



2X, TRB 3-LUG JACK  
INSULATED  
BULKHEAD

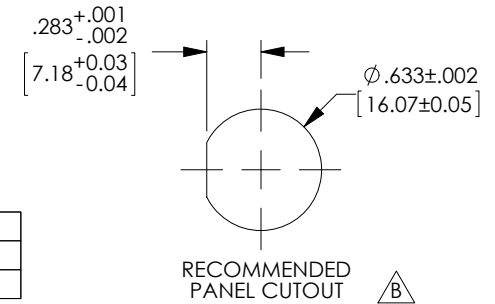
— LABEL INFORMATION  
MSA00108-XXXX  
4Z977  
DATE CODE  
B (SEE NOTE 2)

— 78 OHM TWINAX CABLE  
JACKET: PLENUM, BLUE  
NOM. DIA: .242" [6.15]  
MAX. OPER. TEMP: +125°C



WIRING MAP

LENGTH CODE CHART		
CABLE # & LENGTH	LENGTH SYMBOL	EXAMPLES OF PART # USED
MSA00108-XXXX	WHERE XXX = LENGTH IN INCHES	MSA00108-12N (12.0 INCHES)



RECOMMENDED  
PANEL CUTOUT

NOTES:

- \*XXX = LENGTH IN INCHES
- CABLES 48" AND UNDER HAVE 1 LABEL CENTERED. CABLES OVER 48" HAVE 2 LABELS, ONE AT EACH END 3.0" FROM THE BACK OF THE CONNECTOR.
- CABLE ASSEMBLY SHALL BE TESTED FOR CONTINUITY.

NON CONTROLLED DRAWING IF PRINTED

AS9100C CERTIFIED			CAD SYSTEM DRAWING - DO NOT REVISE MANUALLY				
			UNLESS OTHERWISE SPECIFIED ALL DIMENSIONS ARE IN INCHES	SIGNATURE	DATE		MILESTEK CORPORATION 1506 INTERSTATE 35 WEST DENTON, TX 76207 PHONE: 866.524.1553 FAX: 940.591.7086
			OVERALL CABLE LENGTH TOLERANCES: ≤12 [305] = +1 [25] / -0 >12 [305] ≤60 [1524] = +2 [51] / -0 >60 [1524] ≤120 [3048] = +4 [102] / -0 >120 [3048] ≤300 [7620] = +6 [152] / -0 >300 [7620] = +5% / -0%				
			ALL OTHER DIMENSIONAL TOLERANCES: .X = ±.2 [5.08] .XX = ±.02 [5.1] .XXX = ±.005 [1.3]	CHECKED BY: M.HEARN	06/30/17	CA PLN TWNX IN BH J-J	DRAWING NUMBER: MSA00108-XXXX
				APPROVED ENGINEERING: M.HEARN	06/30/17		
DASH	NEXT ASSY	USED ON	CUSTOMER REFERENCE DOCUMENT:	CUSTOMER APPROVAL			
APPLICATION				CAGE CODE: 4Z977			