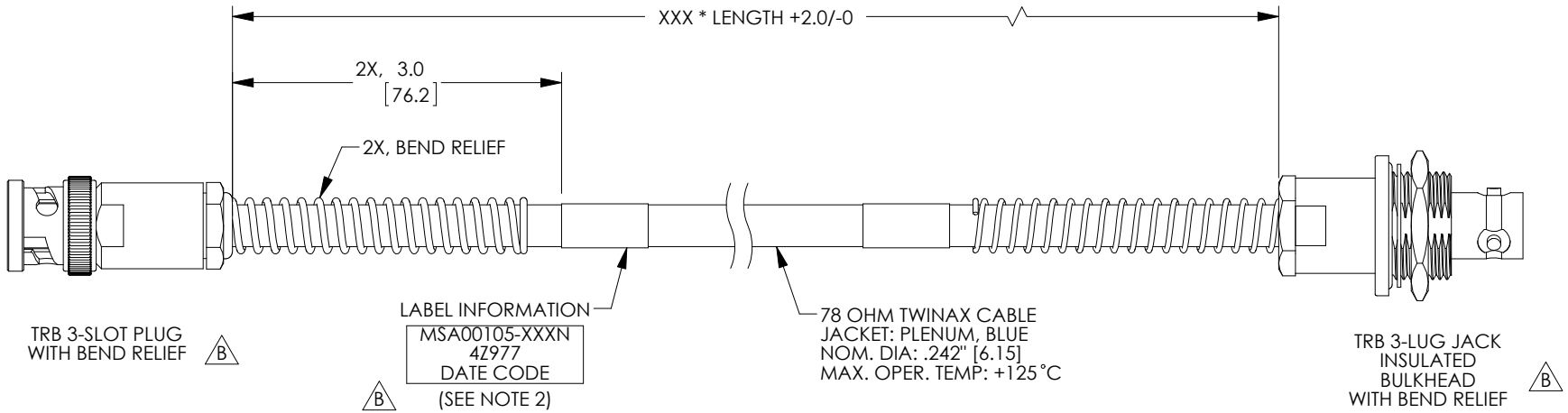


PROPRIETARY NOTICE

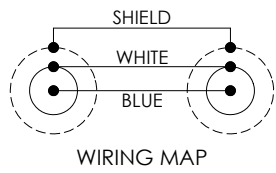
This document discloses confidential subject matter in which MilesTek Corporation and its subsidiaries have proprietary rights. Neither receipt nor possession thereof confers or transfers any right to reproduce or disclose the document, any part thereof, any information contained therein, or any physical article or device, or to practice any method or process, except by written permission from, or written agreement with MilesTek Corporation and its subsidiaries.

REVISIONS			
REV	DESCRIPTION	DATE	APPROVED
A	INITIAL RELEASE	06/30/17	J.YOU
B	ECN 8899: REVISE NOTE 1 TO NOTE 2, DESCR., TITLR, ADD DETAIL	9/7/17	D.FRISIELLO

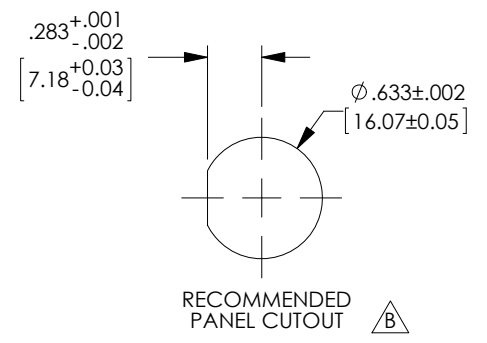


**LABEL INFORMATION**  
 MSA00105-XXXXN  
 4Z977  
 DATE CODE  
 (SEE NOTE 2)

78 OHM TWINAX CABLE  
 JACKET: PLENUM, BLUE  
 NOM. DIA.: .242" [6.15]  
 MAX. OPER. TEMP: +125 °C



LENGTH CODE CHART		
CABLE # & LENGTH	LENGTH SYMBOL	EXAMPLES OF PART # USED
MSA00105-XXXXN	WHERE XXX = LENGTH IN INCHES	MSA00105-12N (12.0 INCHES)



- NOTES:**
- \*XXX = LENGTH IN INCHES
  - CABLES 48" AND UNDER HAVE 1 LABEL CENTERED. CABLES OVER 48" HAVE 2 LABELS, ONE AT EACH END 3.0" FROM THE BACK OF THE CONNECTOR.
  - CABLE ASSEMBLY SHALL BE TESTED FOR CONTINUITY.

**NON CONTROLLED DRAWING IF PRINTED**

AS9100C CERTIFIED			CAD SYSTEM DRAWING - DO NOT REVISE MANUALLY					
DASH	NEXT ASSY	USED ON	UNLESS OTHERWISE SPECIFIED ALL DIMENSIONS ARE IN INCHES	SIGNATURE	DATE		MILESTEK CORPORATION 1506 INTERSTATE 35 WEST DENTON, TX 76207 PHONE: 866.524.1553 FAX: 940.591.7086	
			OVERALL CABLE LENGTH TOLERANCE: ≤12 [305] = +1 [25] / -0 >12 [305] ≤60 [1524] = +2 [51] / -0 >60 [1524] ≤120 [3048] = +4 [102] / -0 >120 [3048] ≤300 [7620] = +6 [152] / -0 >300 [7620] = +5% / -0%	DRAWN BY: J.YOU 06/30/17	CHECKED BY: M.HEARN 06/30/17			APPROVED ENGINEERING: M.HEARN 06/30/17
			ALL OTHER DIMENSIONAL TOLERANCES: .X = ±.2 [5.08] .XX = ±.02 [5.1] .XXX = ±.005 [1.3]	CUSTOMER APPROVAL			SIZE <b>A</b>	DRAWING NUMBER: MSA00105-XXXXN
			CUSTOMER REFERENCE DOCUMENT:	CAGE CODE: 4Z977			SCALE: NTS	SHEET 1 OF 1
			APPLICATION					