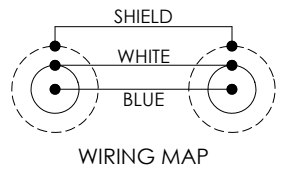
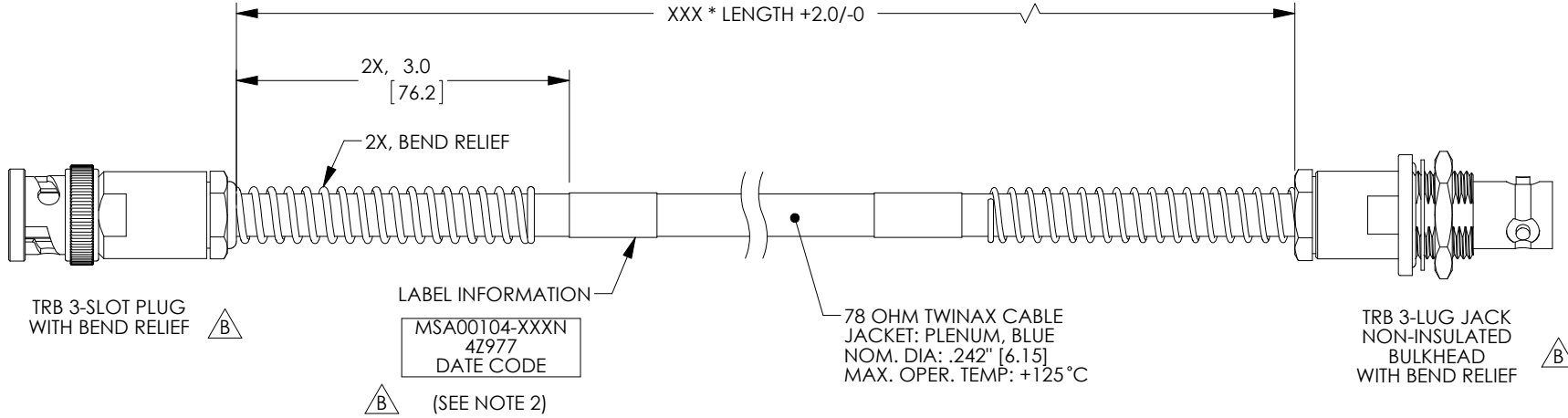


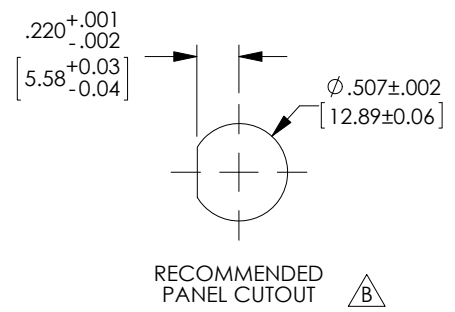
8 7 6 5 4 3 2 1

PROPRIETARY NOTICE
 This document discloses confidential subject matter in which MilesTek Corporation and its subsidiaries have proprietary rights. Neither receipt nor possession thereof confers or transfers any right to reproduce or disclose the document, any part thereof, any information contained therein, or any physical article or device, or to practice any method or process, except by written permission from, or written agreement with MilesTek Corporation and its subsidiaries.

| REVISIONS | | | |
|-----------|--|----------|-------------|
| REV | DESCRIPTION | DATE | APPROVED |
| A | INITIAL RELEASE | 06/30/17 | J.YOU |
| B | ECN 8899: REVISE NOTE 1 TO NOTE 2, DESCR., TITLE, ADD DETAIL | 9/7/17 | D.FRISIELLO |
| | | | |
| | | | |



| LENGTH CODE CHART | | |
|-------------------|------------------------------|----------------------------|
| CABLE # & LENGTH | LENGTH SYMBOL | EXAMPLES OF PART # USED |
| MSA00104-XXXX | WHERE XXX = LENGTH IN INCHES | MSA00104-12N (12.0 INCHES) |



- NOTES:**
- *XXX = LENGTH IN INCHES
 - CABLES 48" AND UNDER HAVE 1 LABEL CENTERED. CABLES OVER 48" HAVE 2 LABELS, ONE AT EACH END 3.0" FROM THE BACK OF THE CONNECTOR.
 - CABLE ASSEMBLY SHALL BE TESTED FOR CONTINUITY.

NON CONTROLLED DRAWING IF PRINTED

| | | | | | |
|--|-----------|---|-------------------|---|--|
| AS9100C CERTIFIED | | CAD SYSTEM DRAWING - DO NOT REVISE MANUALLY | | | |
| UNLESS OTHERWISE SPECIFIED ALL DIMENSIONS ARE IN INCHES | | SIGNATURE | DATE | MilesTek® | |
| OVERALL CABLE LENGTH TOLERANCE: ≤12 [305] = +1 [25] / -0 >12 [305] ≤60 [1524] = +2 [51] / -0 >60 [1524] ≤120 [3048] = +4 [102] / -0 >120 [3048] ≤300 [7620] = +6 [152] / -0 >300 [7620] = +5% / -0% | | DRAWN BY: J.YOU | 06/30/17 | MILESTEK CORPORATION 1506 INTERSTATE 35 WEST DENTON, TX 76207 PHONE: 866.524.1553 FAX: 940.591.7086 | |
| ALL OTHER DIMENSIONAL TOLERANCES: .X = ±.2 [5.08] .XX = ±.02 [5.1] .XXX = ±.005 [1.3] | | CHECKED BY: M.HEARN | 06/30/17 | TITLE PLN TWNX PBR-NI BHJBR | |
| CUSTOMER REFERENCE DOCUMENT: | | APPROVED ENGINEERING: M.HEARN | 06/30/17 | DRAWING NUMBER: MSA00104-XXXX | |
| DASH | NEXT ASSY | USED ON | CUSTOMER APPROVAL | SCALE: NTS | |
| APPLICATION | | | CAGE CODE: 4Z977 | SHEET 1 OF 1 | |

8 7 6 5 4 3 2 1