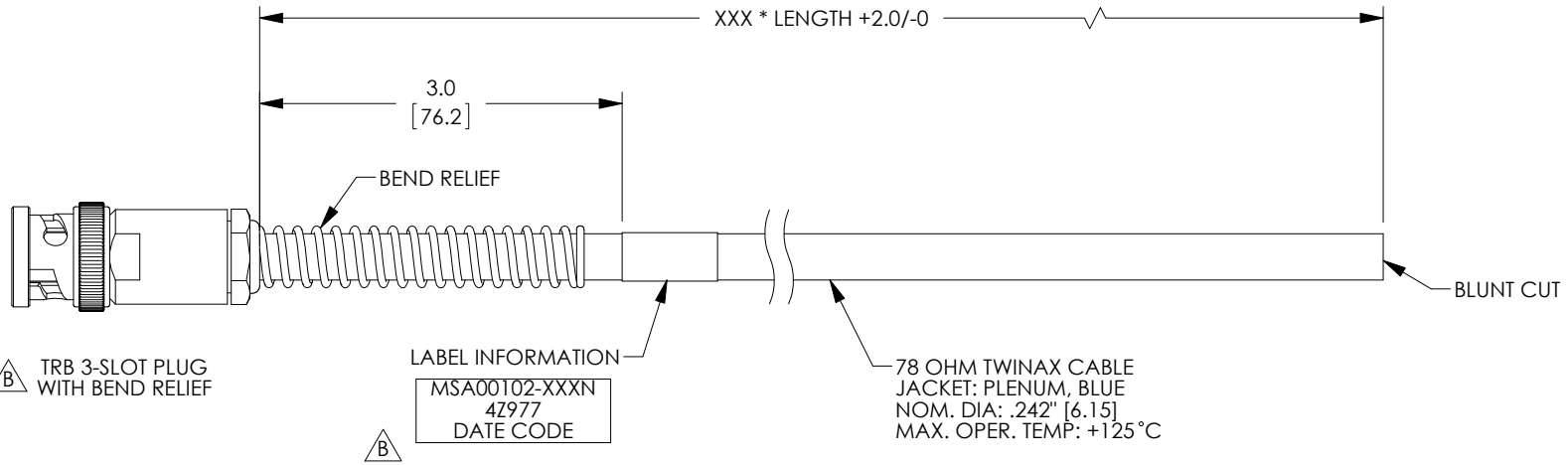


PROPRIETARY NOTICE

This document discloses confidential subject matter in which MilesTek Corporation and its subsidiaries have proprietary rights. Neither receipt nor possession thereof confers or transfers any right to reproduce or disclose the document, any part thereof, any information contained therein, or any physical article or device, or to practice any method or process, except by written permission from, or written agreement with MilesTek Corporation and its subsidiaries.

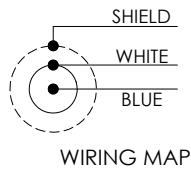
REVISIONS			
REV	DESCRIPTION	DATE	APPROVED
A	INITIAL RELEASE	06/30/17	J.YOU
B	ECN 8899: DELETE NOTE 2, REVISE DESCRIPTIONS, TITLE	9/6/17	D.FRISIELLO



⚠ B TRB 3-SLOT PLUG WITH BEND RELIEF

⚠ B LABEL INFORMATION  
MSA00102-XXXX  
4Z977  
DATE CODE

78 OHM TWINAX CABLE  
JACKET: PLENUM, BLUE  
NOM. DIA: .242" [6.15]  
MAX. OPER. TEMP: +125°C



LENGTH CODE CHART		
CABLE # & LENGTH	LENGTH SYMBOL	EXAMPLES OF PART # USED
MSA00102-XXXN	WHERE XXX = LENGTH IN INCHES	MSA00102-12N (12.0 INCHES)

NON CONTROLLED DRAWING IF PRINTED



NOTES:

- \*XXX = LENGTH IN INCHES
- CABLE ASSEMBLY SHALL BE TESTED FOR CONTINUITY.

AS9100C CERTIFIED			CAD SYSTEM DRAWING - DO NOT REVISE MANUALLY			
DASH	NEXT ASSY	USED ON	UNLESS OTHERWISE SPECIFIED ALL DIMENSIONS ARE IN INCHES	SIGNATURE	DATE	 MILESTEK CORPORATION 1506 INTERSTATE 35 WEST DENTON, TX 76207 PHONE: 866.524.1553 FAX: 940.591.7086
			OVERALL CABLE LENGTH TOLERANCE: ≤12 [305] = +1 [25] / -0 >12 [305] ≤60 [1524] = +2 [51] / -0 >60 [1524] ≤120 [3048] = +4 [102] / -0 >120 [3048] ≤300 [7620] = +6 [152] / -0 >300 [7620] = +5% / -0%  ALL OTHER DIMENSIONAL TOLERANCES: .X = ±.2 [5.08] .XX = ±.02 [5.1] .XXX = ±.005 [13]	DRAWN BY: J.YOU 06/30/17  CHECKED BY: M.HEARN 06/30/17  APPROVED ENGINEERING: M.HEARN 06/30/17  APPROVED MANUFACTURING:   CUSTOMER APPROVAL	TITLE CA PLN TWNX PBR-BLNT	
			CUSTOMER REFERENCE DOCUMENT:	CAGE CODE: 4Z977	SCALE: NTS	DRAWING NUMBER: MSA00102-XXXX SHEET 1 OF 1

