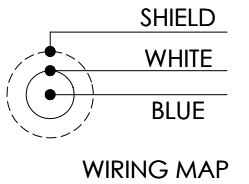
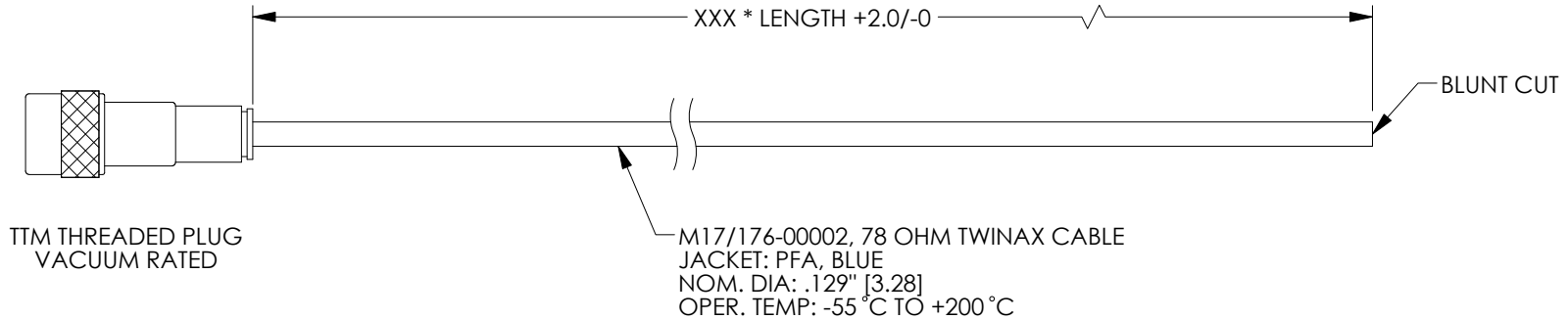


8 7 6 5 4 3 2 1

PROPRIETARY NOTICE

This document discloses confidential subject matter in which MilesTek Corporation and its subsidiaries have proprietary rights. Neither receipt nor possession thereof confers or transfers any right to reproduce or disclose the document, any part thereof, any information contained therein, or any physical article or device, or to practice any method or process, except by written permission from, or written agreement with MilesTek Corporation and its subsidiaries.

MSA00009 A	REVISIONS			
	REV	DESCRIPTION	DATE	APPROVED
	A	INITIAL RELEASE	6/19/17	D.FRISIELLO



LENGTH CODE CHART		
CABLE # & LENGTH	LENGTH SYMBOL	EXAMPLES OF PART # USED
MSA00009-XXN	WHERE XXX = LENGTH IN INCHES	MSA-00009-12N (12.0 INCHES)

- NOTES:**
- *XXX = LENGTH IN INCHES
 - CONNECTOR IS DESIGNED AND MANUFACTURED WITH MATERIALS THAT MEET THE TML (TOTAL MASS LOSS) OR OUT GASSING REQUIREMENTS OF NASA.
 - NO LABELS ALLOWED ON THIS CABLE ASSEMBLY.
 - CABLE ASSEMBLY SHALL BE TESTED FOR CONTINUITY.

REGULATORY COMPLIANCE:
CE2011/65/EU(RoHS DIRECTIVE)

NON CONTROLLED DRAWING IF PRINTED

AS9100C CERTIFIED			CAD SYSTEM DRAWING - DO NOT REVISE MANUALLY			
UNLESS OTHERWISE SPECIFIED ALL DIMENSIONS ARE IN INCHES OVERALL CABLE LENGTH TOLERANCES: ≤12 [305] = +1 [25] / -0 >12 [305] ≤60 [1524] = +2 [51] / -0 >60 [1524] ≤120 [3048] = +4 [102] / -0 >120 [3048] ≤300 [7620] = +6 [152] / -0 >300 [7620] = +5% / -0% ALL OTHER DIMENSIONAL TOLERANCES: .X = ±.2 [5.08] .XX = ±.02 [5.1] .XXX = ±.005 [13]			SIGNATURE	DATE		MILESTEK CORPORATION 1506 INTERSTATE 35 WEST DENTON, TX 76207 PHONE: 866.524.1553 FAX: 940.591.7086
			DRAWN BY: D.FRISIELLO	6/14/17		
			CHECKED BY: M.HEARN	6/19/17	CA VACUUM BLNT-SM THRD P	
			APPROVED ENGINEERING: M.HEARN	6/19/17		
DASH			CUSTOMER APPROVAL	SCALE: NTS	SHEET 1 OF 1	
APPLICATION			CUSTOMER REFERENCE DOCUMENT:	CAGE CODE: 42977		
			DRAWING NUMBER: MSA00009			

8 7 6 5 4 3 2 1