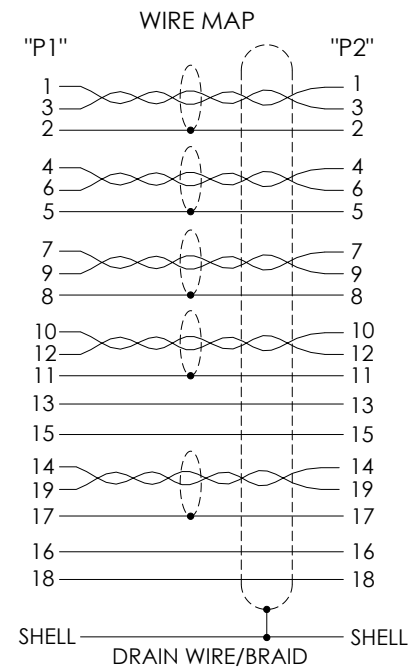
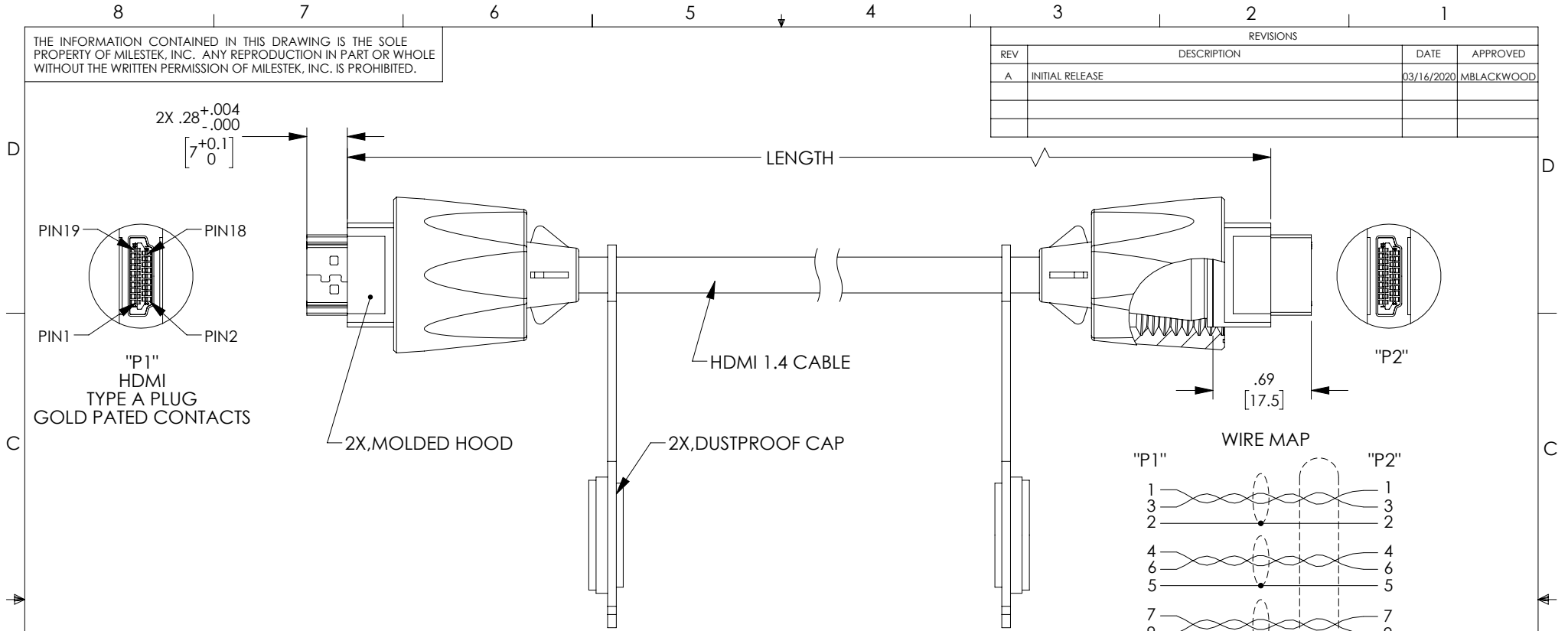


THE INFORMATION CONTAINED IN THIS DRAWING IS THE SOLE PROPERTY OF MILESTEK, INC. ANY REPRODUCTION IN PART OR WHOLE WITHOUT THE WRITTEN PERMISSION OF MILESTEK, INC. IS PROHIBITED.

REVISIONS			
REV	DESCRIPTION	DATE	APPROVED
A	INITIAL RELEASE	03/16/2020	MBLACKWOOD



MODEL NUMBER	LENGTH		TOLERANCE MM [INCHES]	CABLE O.D. NOM. DIA. MM [IN]
	METERS	FEET		
MMIA00016-01M	1.0	3.28	30.0 [1.97]	6.0 [.236]
MMIA00016-02M	2.0	6.56	50.0 [1.97]	6.0 [.236]
MMIA00016-03M	3.0	9.84	80.0 [3.15]	7.3 [.287]
MMIA00016-04M	4.0	13.12	80.0 [3.15]	7.3 [.287]

**NOTES:**

**MATERIAL**  
HOOD:PVC,UL94V-0  
DUSTPROOF:PVC

**ELECTRIC TESTING**  
INSULATION RESISTANCE:20MΩ MIN.  
CONDUCTOR RESISTANCE:3Ω MAX.  
VOLTAGE:300V DC/0.1S

**ENVIRONMENTAL:**  
INGRESS PROTECTION RATING IS IP67 (MATED,IEC60529:2001-02)  
OPERATING TEMPERATURE RANGE:-24°C TO 85°C  
HUMIDITY:10%~90%RH

**MISCELLANEOUS**  
CABLE ASSEMBLY SHALL BE TESTED FOR CONTINUITY.  
CABLE ASSEMBLY SHALL BE INDIVIDUALLY PACKAGED IN ACCORDANCE WITH L-COM SPECIFICATION PS-0031.

UNLESS OTHERWISE SPECIFIED, DIMENSIONS ARE IN INCHES [mm]  OVERALL CABLE LENGTH TOLERANCE: ≤12 [305] = +1 [25] / -0 >12 [305] ≤60 [1524] = +2 [51] / -0 >60 [1524] ≤120 [3048] = +4 [102] / -0 >120 [3048] ≤300 [7620] = +6 [152] / -0 >300 [7620] = +5% / -0  ALL OTHER DIMENSIONAL TOLERANCES: .X = ± .2 [5]   FRACTIONS ± 1/32 .XX = ± .02 [5]   ANGLES ± 1° .XXX = ± .005 [13]	APPROVALS DRAWN BY MVEERAPPAN CHECKED BY JLABOY APPROVED BY DFRISIELLO	DATE 03/16/2020 03/16/2020 03/16/2020	 an INFINITO brand 301 Leora Ln., Suite 100, Lewisville, TX 75056 Phone: 1.940.484.9400 1.866.524.1553	
	CONFIGURATION DETAILS OF UNDIMENSIONED FEATURES MAY VARY		CATEGORY USB	
	COLOR VARIATIONS MAY OCCUR		PRODUCT DESCRIPTION WATERPROOF HDMI INDUSTRIAL CABLE	SHEET 1 OF 1
	THIRD-ANGLE PROJECTION 	SIZE <b>A</b>	CAGE CODE <b>4Z977</b>	ITEM NO. MMIA00016