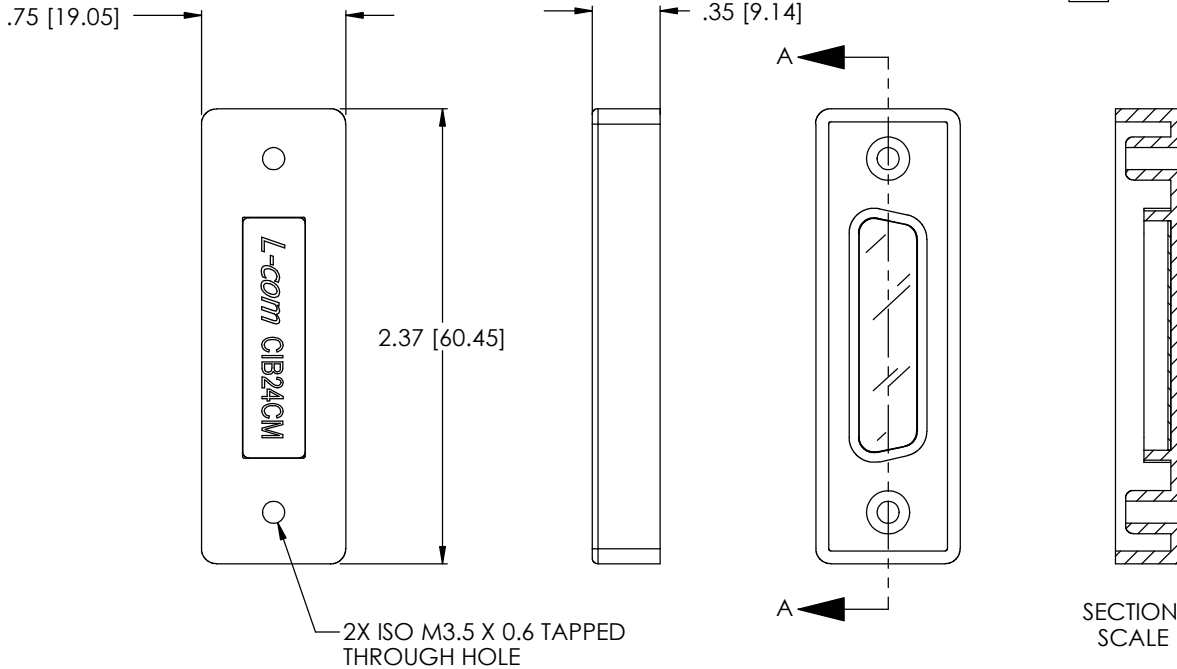


PROPRIETARY NOTICE

This document discloses confidential subject matter in which MilesTek Corporation and its subsidiaries have proprietary rights. Neither receipt nor possession thereof confers or transfers any right to reproduce or disclose the document, any part thereof, any information contained therein, or any physical article or device, or to practice any method or process, except by written permission from, or written agreement with MilesTek Corporation and its subsidiaries.

REVISIONS			
REV	DESCRIPTION	DATE	APPROVED
A	INITIAL RELEASE	06/01/17	J.YOU

MGPB00006
A



SECTION A-A
SCALE 1 : 1

NOTES:

MATERIAL:
COVER: DIE-CAST ALUMINUM ALLOY
INSULATION LINER: CLEAR ACRYLIC

FINISH:
COVER: NICKEL PLATED
INSULATING: N/A

MISC:
COVER FITS ALL MALE IEEE-488 CABLE AND ADAPTOR CONNECTORS AND MOST SIMILAR PANEL CONNECTORS. COVER MAKES CONDUCTIVE CONTACT WITH METAL SHELL OF CONNECTOR FOR EFFECTIVE EMI/RFI SHIELDING.

PACKAGING:
INDIVIDUALLY PACKAGE IN ACCORDANCE WITH SPEC. PS-0054.

REGULATORY COMPLIANCE:
CE2011/65/EU(RoHS DIRECTIVE)

NON CONTROLLED DRAWING IF PRINTED

AS9100C CERTIFIED			CAD SYSTEM DRAWING - DO NOT REVISE MANUALLY			
UNLESS OTHERWISE SPECIFIED ALL DIMENSIONS ARE IN INCHES			SIGNATURE	DATE	MilesTek	
OVERALL CABLE LENGTH TOLERANCE: ≤12 [305] = +1 [25] / -0 >12 [305] ≤60 [1524] = +2 [51] / -0 >60 [1524] ≤120 [3048] = +4 [102] / -0 >120 [3048] ≤300 [7620] = +6 [152] / -0 >300 [7620] = +5% / -0%			DRAWN BY: J.YOU	06/01/17	MILESTEK CORPORATION 1506 INTERSTATE 35 WEST DENTON, TX 76207 PHONE: 866.524.1553 FAX: 940.591.7086	
ALL OTHER DIMENSIONAL TOLERANCES: .X = ±.2 [5.08] .XX = ±.02 [5.1] .XXX = ±.005 [1.3]			CHECKED BY: Brian G.	06/01/17	TITLE COVER FOR MALE IEEE-488 CONNECTOR	
CUSTOMER REFERENCE DOCUMENT:			APPROVED ENGINEERING: S.PAN	06/01/17	DRAWING NUMBER: MGPB00006	
DASH	NEXT ASSY	USED ON	CUSTOMER APPROVAL	SCALE: NTS		
APPLICATION			CAGE CODE: 42977	SHEET 1 OF 1		