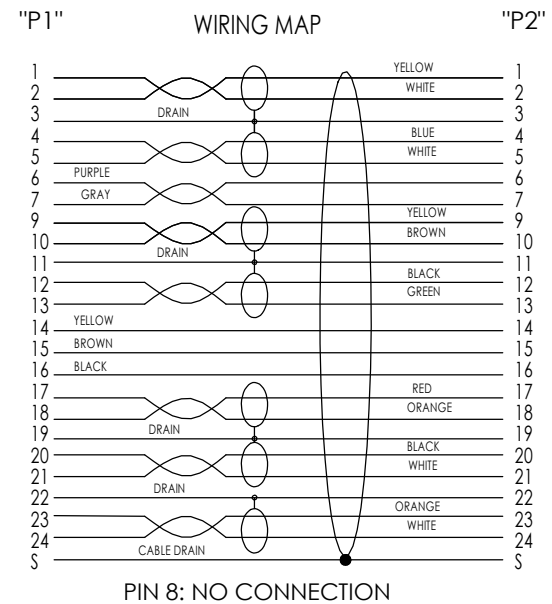
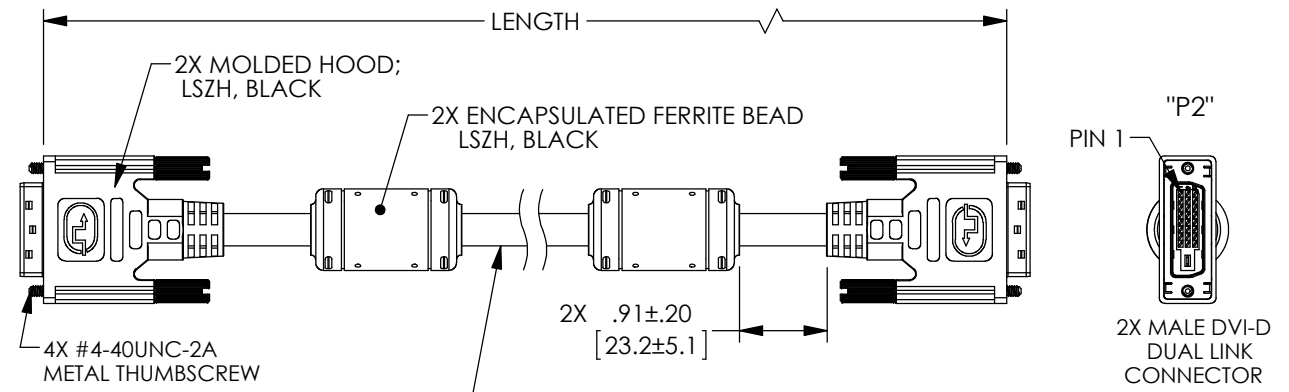
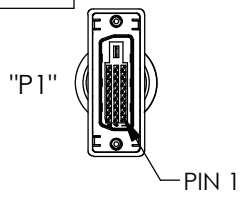


PROPRIETARY NOTICE
 This document discloses confidential subject matter in which MilesTek Corporation and its subsidiaries have proprietary rights. Neither receipt nor possession thereof confers or transfers any right to reproduce or disclose the document, any part thereof, any information contained therein, or any physical article or device, or to practice any method or process, except by written permission from, or written agreement with MilesTek Corporation and its subsidiaries.

REVISIONS			
REV	DESCRIPTION	DATE	APPROVED
A	INITIAL RELEASE	06/08/17	J.YOU

P/N	LENGTH	
	FEET	METERS
MDA00016-3F	3.0	.92
MDA00016-5F	5.0	1.52
MDA00016-10F	10.0	3.05
MDA00016-15F	15.0	4.57



NON CONTROLLED DRAWING IF PRINTED

- NOTES:**
1. CABLES TO BE TESTED FOR CONTINUITY
 2. CABLES TO BE INDIVIDUALLY PACKAGED IN ACCORDANCE WITH SPECIFICATION PS-0054.
 3. DUST COVERS INSTALLED FOR SHIPPING (NOT SHOWN).
- REGULATORY COMPLIANCE:**
 CE2011/65/EU(RoHS DIRECTIVE)

AS9100C CERTIFIED			CAD SYSTEM DRAWING - DO NOT REVERSE MANUALLY			
DASH	NEXT ASSY	USED ON	UNLESS OTHERWISE SPECIFIED ALL DIMENSIONS ARE IN INCHES	SIGNATURE	DATE	 MILESTEK CORPORATION 1506 INTERSTATE 35 WEST DENTON, TX 76207 PHONE: 866.524.1553 FAX: 940.591.7086
			OVERALL CABLE LENGTH TOLERANCE: ≤12 [305] = +1 [25] / -0 >12 [305] ≤60 [1524] = +2 [51] / -0 >60 [1524] ≤120 [3048] = +4 [102] / -0 >120 [3048] ≤300 [7620] = +6 [152] / -0 >300 [7620] = +5% / -0% ALL OTHER DIMENSIONAL TOLERANCES: .X = ±.2 [5.08] .XX = ±.02 [5.1] .XXX = ±.005 [13]	DRAWN BY: J.YOU CHECKED BY: B.GATES APPROVED ENGINEERING: S.PAN APPROVED MANUFACTURING: CUSTOMER APPROVAL:	06/08/17 06/08/17 06/08/17	
APPLICATION			CUSTOMER REFERENCE DOCUMENT:	CAGE CODE: 42977	SCALE: NTS	DRAWING NUMBER: MDA00016