

8

7

6

5

4

3

2

1

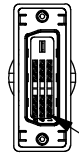
PROPRIETARY NOTICE

This document discloses confidential subject matter in which MilesTek Corporation and its subsidiaries have proprietary rights. Neither receipt nor possession thereof confers or transfers any right to reproduce or disclose the document, any part thereof, any information contained therein, or any physical article or device, or to practice any method or process, except by written permission from, or written agreement with MilesTek Corporation and its subsidiaries.

REVISONS			
REV	DESCRIPTION	DATE	APPROVED
A	INITIAL RELEASE	06/08/17	J.YOU

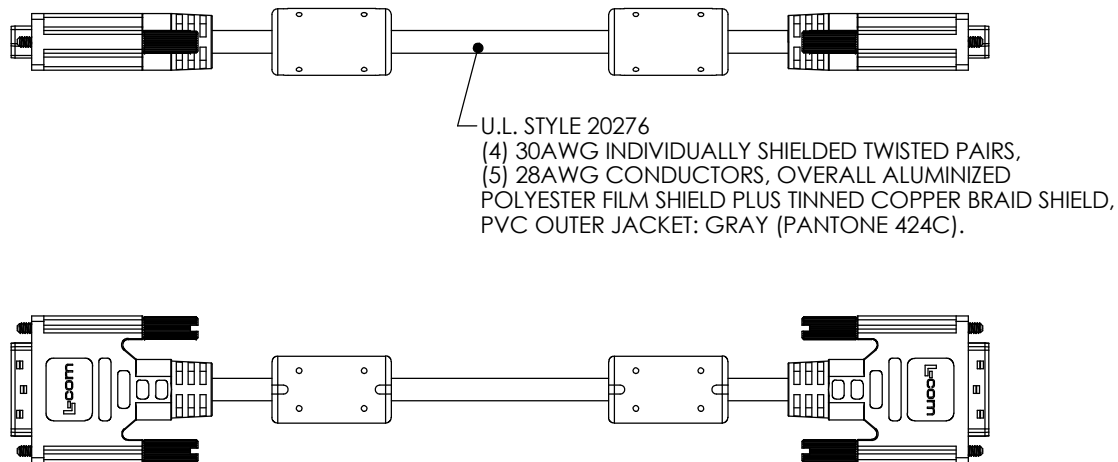
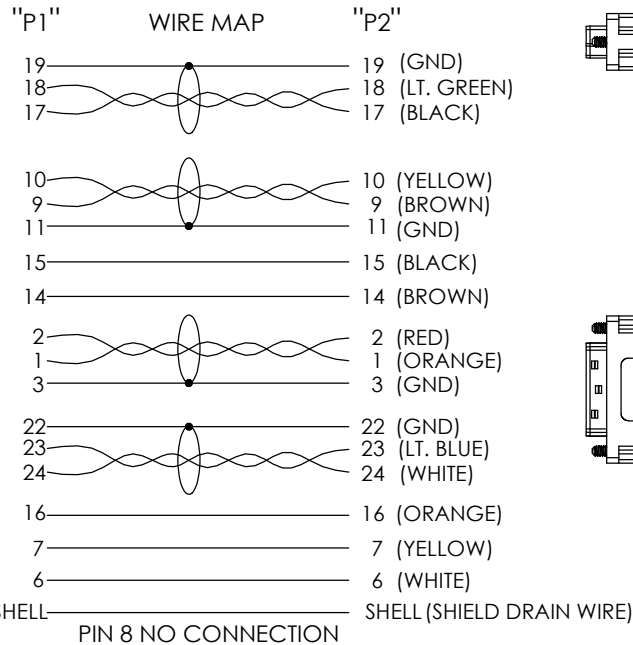
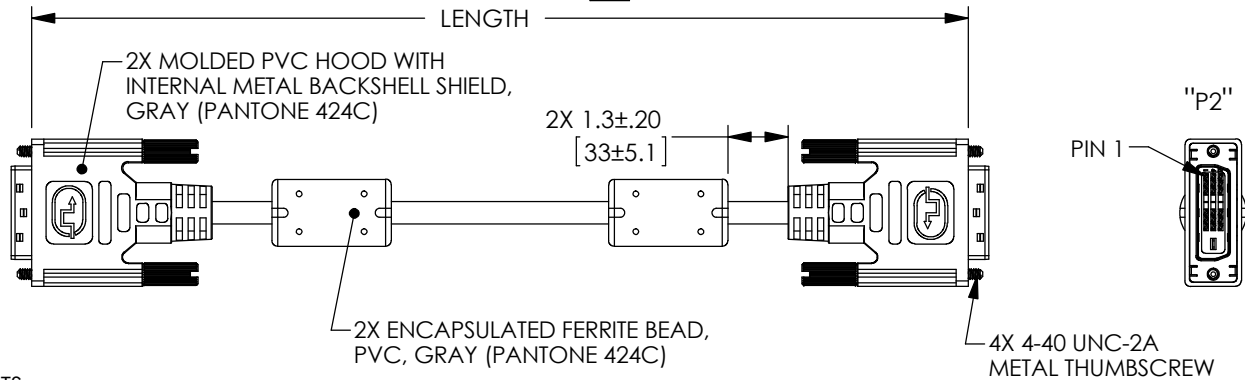
MODEL NUMBER	LENGTH	
	FEET	METERS
MDA00011-3F	3.0	[.92]
MDA00011-5F	5.0	[1.52]
MDA00011-10F	10.0	[3.05]
MDA00011-15F	15.0	[4.57]

"P1"



PIN 1

2X MALE DVI-D SINGLE LINK CONNECTOR  
30µ" GOLD PLATED CONTACTS



## NON CONTROLLED DRAWING IF PRINTED

### NOTES:

1. CABLE ASSEMBLIES SHALL BE TESTED FOR CONTINUITY.
2. CABLE ASSEMBLIES SHALL BE INDIVIDUALLY PACKAGED IN ACCORDANCE WITH SPEC. PS-0054.
3. DUST COVERS INSTALLED FOR SHIPPING (NOT SHOWN).

### REGULATORY COMPLIANCE:

CE2011/65/EU(RoHS DIRECTIVE)

AS9100C CERTIFIED			CAD SYSTEM DRAWING - DO NOT REVISE MANUALLY			
DASH	NEXT ASSY	USED ON	UNLESS OTHERWISE SPECIFIED ALL DIMENSIONS ARE IN INCHES	SIGNATURE	DATE	 MILESTEK CORPORATION 1506 INTERSTATE 35 WEST DENTON, TX 76207 PHONE: 866.524.1553 FAX: 940.591.7086
			OVERALL CABLE LENGTH TOLERANCE: ≤12 [305] = +1 [25] / -0 >12 [305] ≤60 [1524] = +2 [51] / -0 >60 [1524] ≤120 [3048] = +4 [102] / -0 >120 [3048] ≤300 [7620] = +6 [152] / -0 >300 [7620] = +5% / -0%  ALL OTHER DIMENSIONAL TOLERANCES: .X = ±.2 [5.08] .XX = ±.02 [5.1] .XXX = ±.005 [1.3]	DRAWN BY: J.YOU CHECKED BY: B.GATES APPROVED ENGINEERING: S.PAN APPROVED MANUFACTURING:	06/08/17 06/08/17 06/08/17	
APPLICATION			CUSTOMER REFERENCE DOCUMENT:	CAGE CODE: 42977	SCALE: NTS	CA DVI-D M/DVI-D M W/FERR  DRAWING NUMBER: MDA00011
						SHEET 1 OF 1

8

7

6

5

4

3

2

1