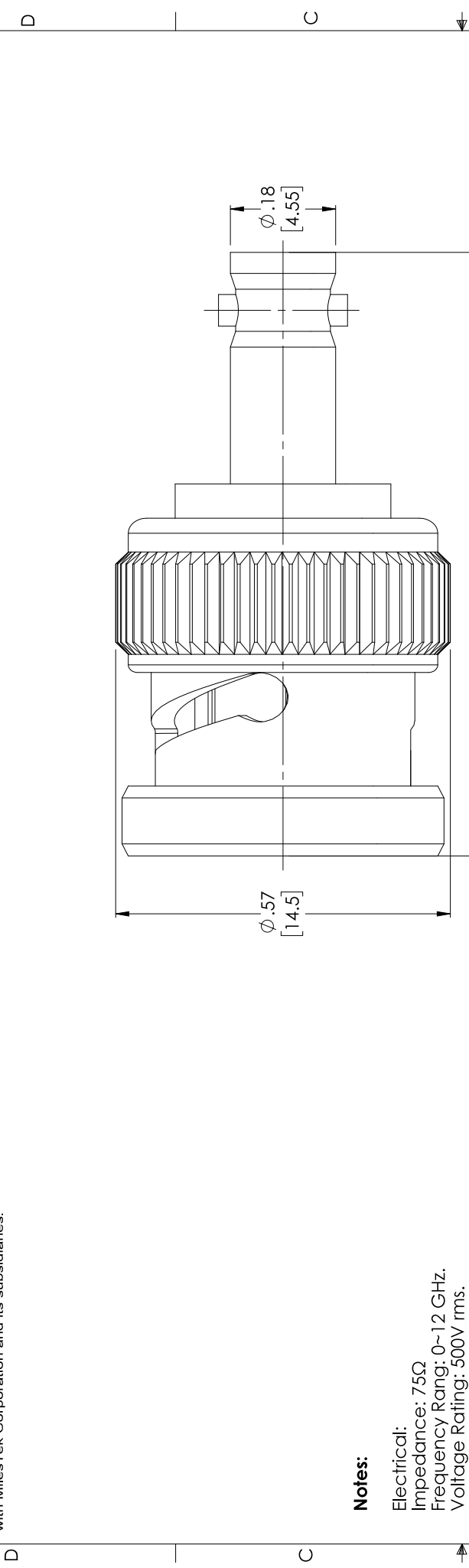


8 7 6 5 4 3 2 1

REV	DESCRIPTION	DATE	APPROVED
A	REV A DRAWING RELEASED	05/15/2019	DFRIBELLO



1.02±0.01
[25.9±0.3]

0.57
[14.5]

0.18
[4.55]

Notes:

Electrical:
 Impedance: 75Ω
 Frequency Rang: 0~12 GHz.
 Voltage Rating: 500V rms.
 Insulator Resistance: ≥5 GΩ
 Dielectric Withstanding Voltage: 1000 V rms.
 Contact Resistance: Center Contact ≤3 mΩ.
 Outer Contact ≤2.5 mΩ.
 Reflection Factor(VSWR) 1.15 MAX. DC-6.0 GHz
 1.30 MAX. 6.0 -12 GHz

Environmental:
 Temperature Range: -65a to 165a
 Corrosion (Salt Spray): **MIL-STD-202**, Method 101, Cond. C
 Thermal Shock: **MIL-STD-202**, Method 107, Cond. B
 Mechanical: **MIL-STD-202**, Method 213, Cond. I
 Vibration: **MIL-STD-202**, Method 204, Cond. D

PACKAGING:
 CONNECTOR SHALL BE INDIVIDUALLY PACKAGED IN
 ACCORDANCE WITH SPECIFICATION PS-0054.

REGULATORY COMPLIANCE:
 EU RoHS DIRECTIVE (MOST RECENT RELEASED VERSION)

ITEM	Description	Material	Finish
4	Inner Contact	BeCu	NICKEL/GOLD PLATE
3	Insulator	PTFE	None
2	Body	Brass	NICKEL PLATE
1	Shell	Brass	NICKEL PLATE

SIGNATURE	DATE	TITLE
CHUAN	05/13/2019	BNC Male Connector
DFRIBELLO	05/14/2019	Crimp/Solder
DFRIBELLO	05/14/2019	

UNLESS OTHERWISE SPECIFIED ALL DIMENSIONS ARE IN INCHES

OVERALL CABLE LENGTH TOLERANCE:
 <math> < 10 [0.375] < 1 [25] / +0.1 / -0 < /math>
 <math> > 10 [1.5748] < 100 [2540] = +0.125 / -0 < /math>
 <math> > 100 [2540] < 500 [12700] = +0.152 / -0 < /math>
 <math> > 500 [12700] = +5% / -3% < /math>

ALL OTHER DIMENSIONAL TOLERANCES:
 .XX = ±0.005
 .XXX = ±0.001 [0.0254]

CUSTOMER REFERENCE DOCUMENT:

SCALE: NTS

CAGE CODE: 4Z977

DRAWING NUMBER: MAVB00016

REV. A

MilestTek
Military | Aerospace | Communications | Industrial

MILESTEK CORPORATION
301 KENYON AVE. SUITE 100
MILWAUKEE, WI 53212
PHONE: (940) 484-9400
FAX: (940) 566-1047