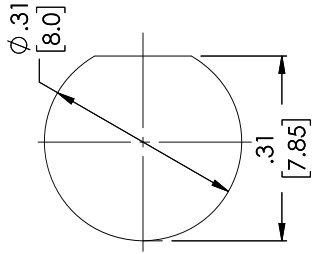
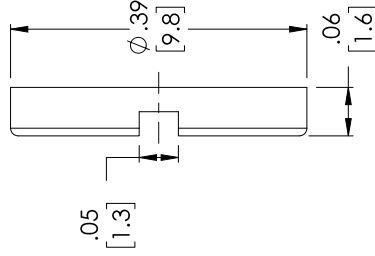
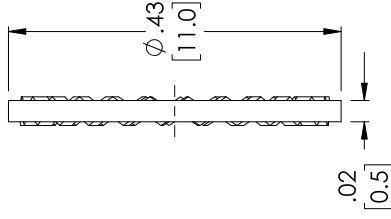
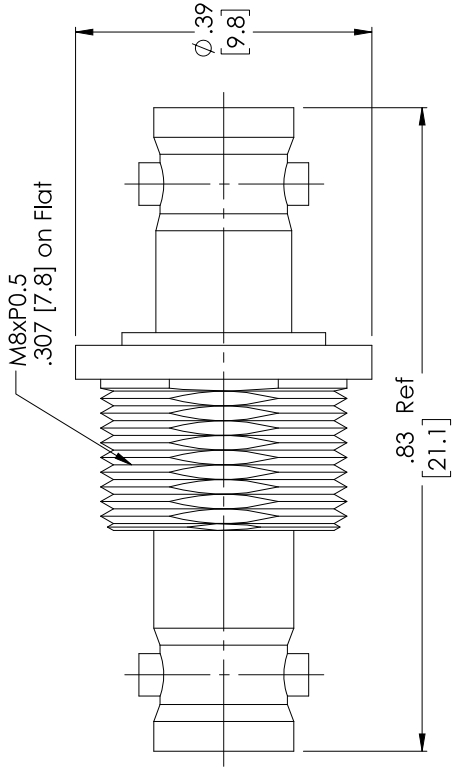


PROPRIETARY NOTICE

This document discloses confidential subject matter in which MilesTek Corporation and its subsidiaries have proprietary rights. Neither receipt nor possession thereof confers or transfers any right to reproduce or disclose the content or any part thereof, or to practice any method or process, except by written permission from, or written agreement with MilesTek Corporation and its subsidiaries.



Recommended Mounting Hole

NOTES:

PACKAGING:
CONNECTOR SHALL BE INDIVIDUALLY PACKAGED IN
ACCORDANCE WITH SPECIFICATION PS-0054.

REGULATORY COMPLIANCE:
EU RoHS DIRECTIVE (MOST RECENT RELEASED VERSION)

5	Nut	Brass	NICKEL PLATE
4	Washer	Brass	NICKEL PLATE
3	Pin	BeCu	GOLD PLATE
2	Insulator	PTFE	None
1	Body	Brass	NICKEL PLATE
ITEM	Description	Material	Finish

UNLESS OTHERWISE SPECIFIED ALL DIMENSIONS ARE IN INCHES		SIGNATURE	DATE
OVERALL CABLE LENGTH TOLERANCE: >10 [254] ≤120 [3048] = ±.01 [0.25] / -0 >10 [254] ≤120 [3048] = ±.01 [0.25] / -0 >120 [3048] ≤500 [12700] = ±.1 [2.5] / -0 500 [12700] = +.5% / -3%		CHUAN	05/13/2019
ALL OTHER DIMENSIONAL TOLERANCES: XX = ±.01 [0.25] XXX = ±.005 [0.13]		DFRIBIELLO	05/14/2019
CUSTOMER REFERENCE DOCUMENT:		CONFIGURATION DETAILS OF UNDIMENSIONED FEATURES MAY VARY	
CAGE CODE: 4Z977		TITLE	
SCALE: NTS		MILESTEK CORPORATION 3010 PENNA AVE, SUITE 100 EVANSHALE, PA 15035 PHONE: (940) 484-9400 FAX: (940) 566-1047	
REV. A	DRAWING NUMBER: MAVB00015	SHEET 1 OF 1	

1 2 3 4 5 6 7 8

A B C D