

PROPRIETARY NOTICE

This document discloses confidential subject matter in which MilesTek Corporation and its subsidiaries have proprietary rights. Neither receipt nor possession thereof confers or transfers any right, title, or interest in the design, structure, or process, except by written permission from, or written agreement with MilesTek Corporation and its subsidiaries.

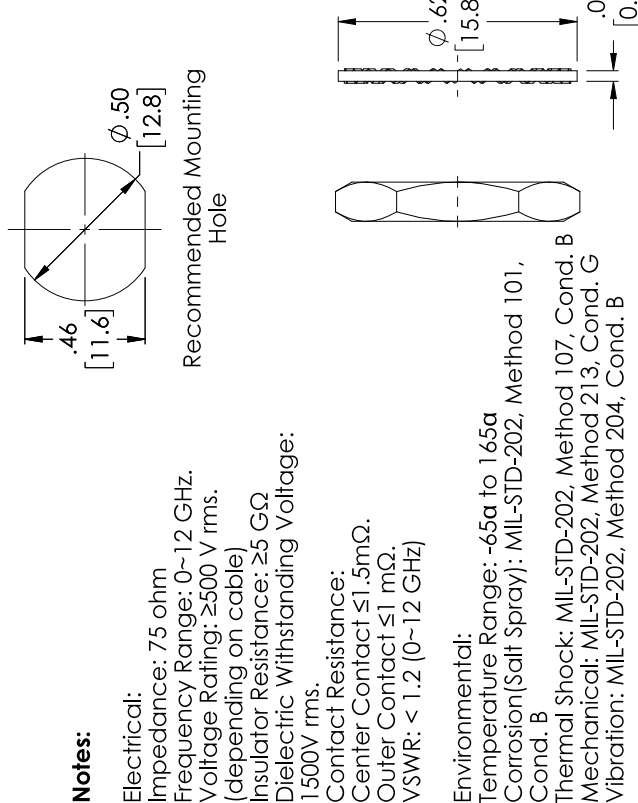
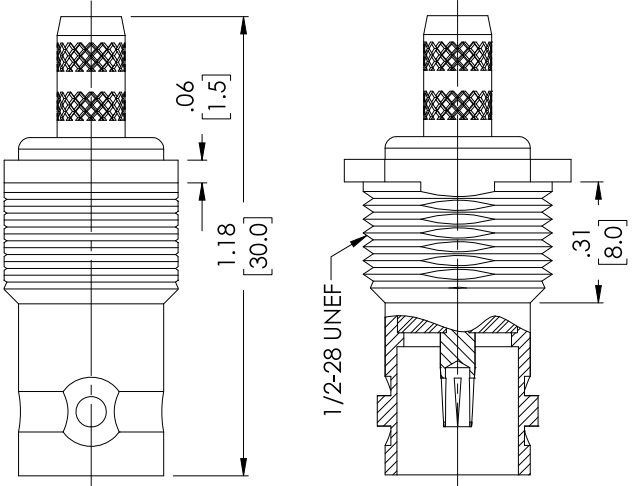
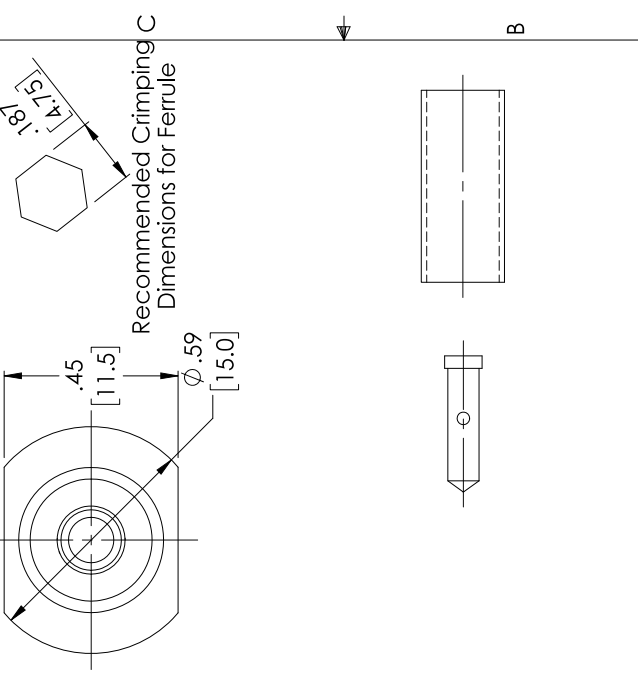
**Notes:**

- Electrical: Impedance: 75 ohm
- Frequency Range: 0-12 GHz.
- Voltage Rating: ≥500 V rms. (depending on cable)
- Insulator Resistance: ≥5 GΩ
- Dielectric Withstanding Voltage: 1500V rms.
- Contact Resistance: Center Contact ≤1.5mΩ. Outer Contact ≤1 mΩ. VSWR: < 1.2 (0-12 GHz)
- Environmental: Temperature Range: -65a to 165a
- Corrosion (Salt Spray): MIL-STD-202, Method 101, Cond. B
- Thermal Shock: MIL-STD-202, Method 107, Cond. B
- Mechanical: MIL-STD-202, Method 213, Cond. G
- Vibration: MIL-STD-202, Method 204, Cond. B

PACKAGING: CONNECTOR SHALL BE INDIVIDUALLY PACKAGED IN ACCORDANCE WITH SPECIFICATION PS-0054.

**REGULATORY COMPLIANCE:** EU RoHS DIRECTIVE (MOST RECENT RELEASED VERSION)

REV	DESCRIPTION	DATE	APPROVED
A	REV A DRAWING RELEASED	05/15/2019	DFRIBIELLO



7	Nut	Brass	NICKEL PLATE
6	Washer	Steel	NICKEL PLATE
5	Ferrule	Brass	NICKEL PLATE
4	Inner Contact	Brass	NICKEL/GOLD PLATE
3	Center Contact	BeCu	NICKEL/GOLD PLATE
2	Insulator	PTFE	None
1	Body	Brass	NICKEL PLATE
ITEM	Description	Material	Finish

		MILESTEK CORPORATION 301 PENNSYLVANIA AVE., SUITE 100 WASHINGTON, DC 20004 PHONE: (949) 484-9400 FAX: (949) 566-1047	
SIGNATURE	DATE	TITLE	
CHUAN	05/13/2019	BNC B/H Jack for Belden 1855A	
DFRIBIELLO	05/14/2019	CONFIGURATION DETAILS OF UNDIMENSIONED FEATURES MAY VARY	
UNLESS OTHERWISE SPECIFIED ALL DIMENSIONS ARE IN INCHES OVERALL CABLE LENGTH TOLERANCE: >10 (252) ≤ L < 20 (508) = ± 0.010 / -0.005 >20 (508) ≤ L < 50 (1270) = ± 0.012 / -0.006 >50 (1270) ≤ L < 100 (2540) = ± 0.015 / -0.007 >100 (2540) ≤ L < 500 (12700) = ± 0.020 / -0.010 >500 (12700) ≤ L < 1000 (25400) = ± 0.025 / -0.012 ALL OTHER DIMENSIONAL TOLERANCES: .XX = ± 0.005 (0.125) .XXX = ± 0.002 (0.051)			
CAGE CODE: 4Z977		DRAWING NUMBER: MAVB00012	
SCALE: NTS		SHEET 1 OF 1	