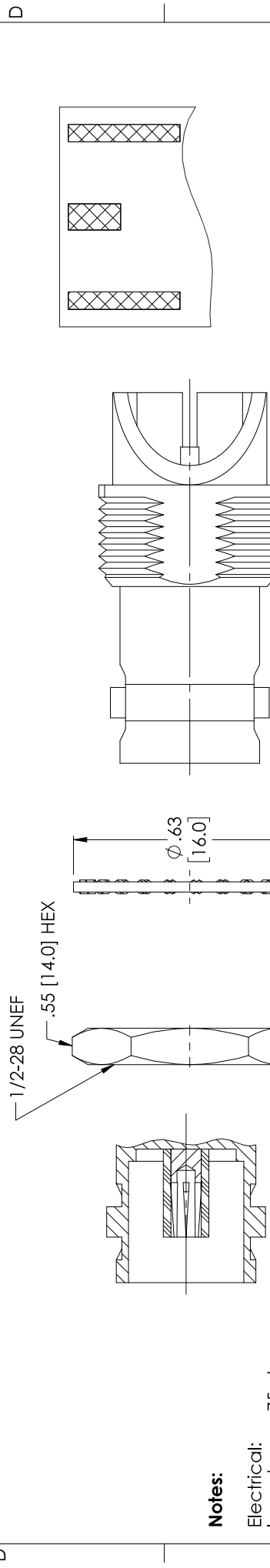


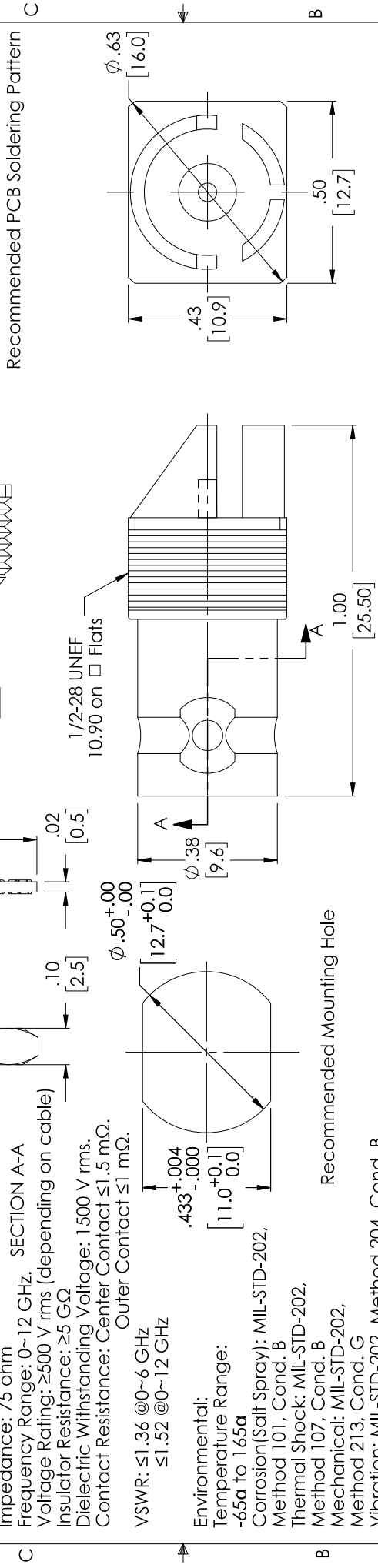
PROPRIETARY NOTICE

This document discloses confidential subject matter in which MilesTek Corporation and its subsidiaries have proprietary rights. Neither receipt nor possession thereof confers or transfers any right to reproduce or disclose the contents or assist in the design, development, manufacture, or sale of any physical article or device, or to practice any method or process, except by written permission from, or written agreement with MilesTek Corporation and its subsidiaries.

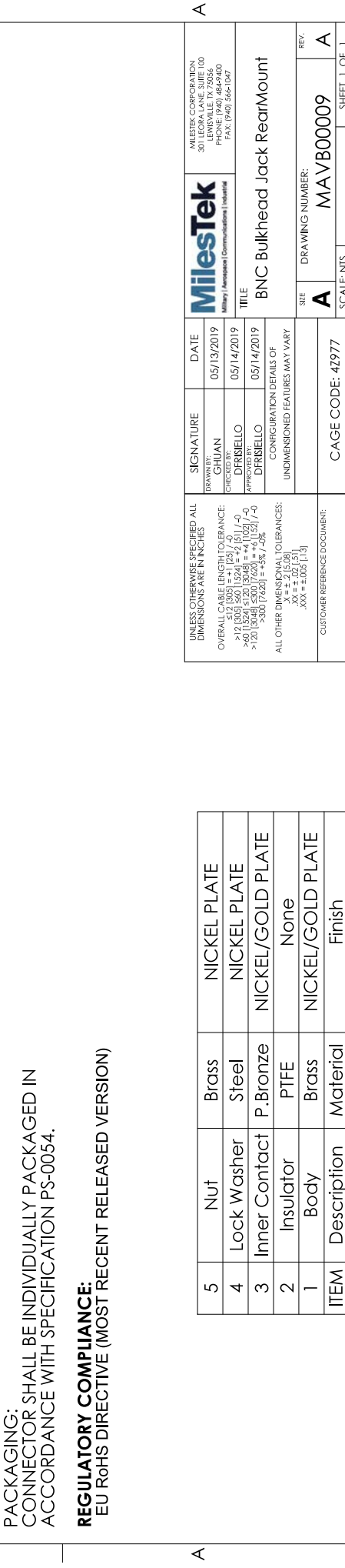
D



C



B



A

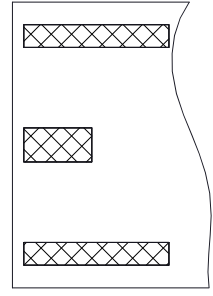
Notes:

- Electrical: Impedance: 75 ohm
- Frequency Range: 0~12 GHz, SECTION A-A
- Voltage Rating: ≥500 V rms (depending on cable)
- Insulator Resistance: ≥5 GΩ
- Dielectric Withstanding Voltage: 1500 V rms.
- Contact Resistance: Center Contact ≤1.5 mΩ. Outer Contact ≤1 mΩ.
- VSWR: ≤1.36 @0~6 GHz ≤1.52 @0~12 GHz
- Environmental: Temperature Range: -65a to 165a
- Corrosion (Salt Spray): MIL-STD-202, Method 101, Cond. B
- Thermal Shock: MIL-STD-202, Method 107, Cond. B
- Mechanical: MIL-STD-202, Method 213, Cond. C
- Vibration: MIL-STD-202, Method 204, Cond. B

PACKAGING: CONNECTOR SHALL BE INDIVIDUALLY PACKAGED IN ACCORDANCE WITH SPECIFICATION PS-0054.

REGULATORY COMPLIANCE: EU RoHS DIRECTIVE (MOST RECENT RELEASED VERSION)

Recommended PCB Soldering Pattern



REV	DESCRIPTION	DATE	APPROVED
A	REV A DRAWING RELEASED	05/15/2019	DFRIBIELLO

5	Nut	Brass	NICKEL PLATE
4	Lock Washer	Steel	NICKEL PLATE
3	Inner Contact	P.Bronze	NICKEL/GOLD PLATE
2	Insulator	PTFE	None
1	Body	Brass	NICKEL/GOLD PLATE
ITEM	Description	Material	Finish

SIGNATURE	DATE
CHUAN	05/13/2019
DFRIBIELLO	05/14/2019
DFRIBIELLO	05/14/2019

UNLESS OTHERWISE SPECIFIED ALL DIMENSIONS ARE IN INCHES

OVERALL CABLE LENGTH TOLERANCE:  
 >10 [254] ≤1 [25] / -0  
 >10 [254] ≤100 [2540] = ± [1.0] / -0  
 >120 [3048] ≤500 [12700] = ± [1.52] / -0  
 >500 [12700] = +5% / -3%

ALL OTHER DIMENSIONAL TOLERANCES:  
 .015 [0.38]  
 .01 [0.25]  
 .XX = ± .005 [0.13]

CONFIGURATION DETAILS OF UNDIMENSIONED FEATURES MAY VARY

CAGE CODE: 4Z977

MilesTek  
 Military / Aerospace Communications / Industrial

MILESTEK CORPORATION  
 301 EDWARDS DRIVE, SUITE 100  
 WILSONVILLE, OR 97148  
 PHONE: (949) 484-9400  
 FAX: (949) 566-1047

TITLE: BNC Bulkhead Jack RearMount

SEE: DRAWING NUMBER: MAVB00009

SCALE: NTS

SHEET 1 OF 1