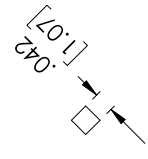
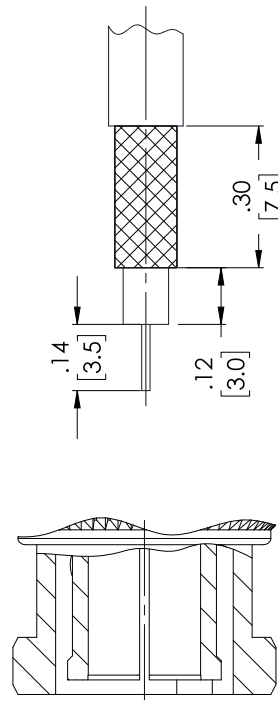
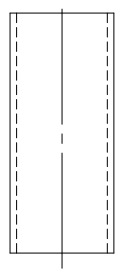
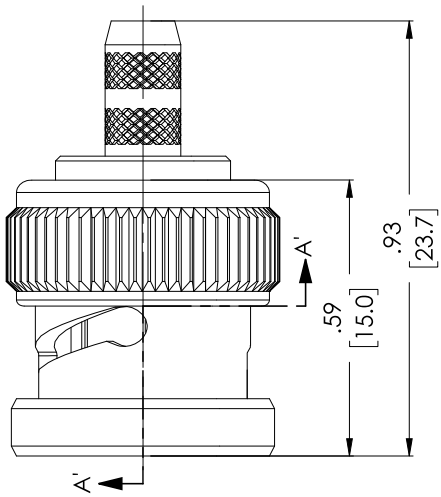


PROPRIETARY NOTICE

This document discloses confidential subject matter in which MilesTek Corporation and its subsidiaries have proprietary rights. Neither receipt nor possession thereof confers or transfers any right to reproduce, distribute, disclose, or use any information contained herein, or to practice any method or process, except by written permission from, or written agreement with MilesTek Corporation and its subsidiaries.

Notes:

- Electrical:
 - Impedance: 75Ω
 - Frequency Range: 0~12 GHz.
 - Voltage Rating: ≥500 V rms. (depending on cable)
 - Insulator Resistance: ≥5 GΩ
 - Dielectric Withstanding Voltage: 1500V rms.
 - Contact Resistance: Center Contact ≤1.5 mΩ. Outer Contact ≤1mΩ.
 - VSWR: < 1.2(0~12 GHz)



Recommended Crimping Dimensions for Ferrule

Recommended Cable Etripping Dimensions

Section A'-A' 75Ω

PACKAGING:
CONNECTOR SHALL BE INDIVIDUALLY PACKAGED IN ACCORDANCE WITH SPECIFICATION PS-0054.

REGULATORY COMPLIANCE:
EU RoHS DIRECTIVE (MOST RECENT RELEASED VERSION)

5	Ferrule	Brass	NICKEL PLATE
4	Inner Contact	Brass	NICKEL/GOLD PLATE
3	insulator	PTFE	None
2	Body	Brass	NICKEL PLATE
1	Shell	Brass	NICKEL PLATE
ITEM	Description	Material	Finish

UNLESS OTHERWISE SPECIFIED ALL DIMENSIONS ARE IN INCHES		SIGNATURE	DATE
>.10 (3.175) = ±.020 / .015	CHUAN	05/13/2019	
>.10 (3.175) <.100 (25.4) = ±.010 / .005	DFRIBELLO	05/14/2019	
>.120 (30.48) <.500 (12.70) = ±.0152 / .005	DFRIBELLO	05/14/2019	
>.500 (12.70) = +.5% / -.5%	CONFIGURATION DETAILS OF UNDIMENSIONED FEATURES MAY VARY		
XXX = ±.005 [1.3]	CUSTOMER REFERENCE DOCUMENT:		
XX = ±.003 [0.075]	CAGE CODE: 4Z977		
XX = ±.002 [0.051]	SCALE: NTS		

MILESTEK CORPORATION 301 EDWARDS DRIVE, SUITE 100 MILFORD, MA 01860 PHONE: (949) 484-9400 FAX: (949) 566-1047		MilesTek Military Aerospace Communications Industrial	
TITLE BNC Crimp Plug for 1855ENH		REV. A	
DRAWING NUMBER: MAVB00007		SHEET 1 OF 1	

D

C

B

A