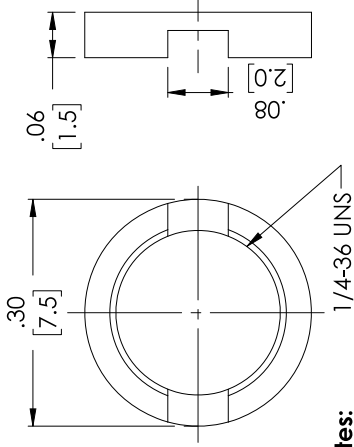


PROPRIETARY NOTICE

This document discloses confidential subject matter in which MilesTek Corporation and its subsidiaries have proprietary rights. Neither receipt nor possession thereof confers or transfers any right to reproduce, disclose, or use in any physical article or device, or to practice any method or process, except by written permission from, or written agreement with MilesTek Corporation and its subsidiaries.



Notes:

- Electrical: Impedance: 75 ohm
- Frequency Range: 0-12 GHz.
- Voltage Rating: 500 V rms.
- Insulator Resistance: $\geq 5 \text{ G}\Omega$
- Dielectric Withstanding Voltage: 1000 V rms.
- Contact Resistance: Center Contact $\leq 3 \text{ m}\Omega$.
- Outer Contact $\leq 2.5 \text{ m}\Omega$.

- Environmental: Temperature Range: -65a to 165a
- Corrosion (Salt Spray): MIL-STD-202, Method 101, Cond. B
- Thermal Shock: MIL-STD-202, Method 107, Cond. B
- Mechanical: MIL-STD-202, Method 213, Cond. I
- Vibration: MIL-STD-202, Method 204, Cond. D

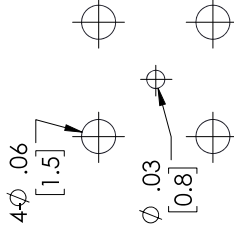
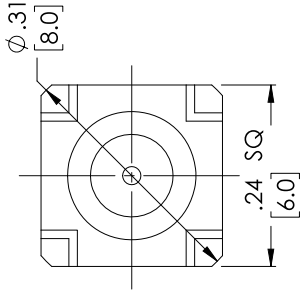
PACKAGING:
CONNECTOR SHALL BE INDIVIDUALLY PACKAGED IN ACCORDANCE WITH SPECIFICATION PS-0054.

REGULATORY COMPLIANCE:
EU RoHS DIRECTIVE (MOST RECENT RELEASED VERSION)

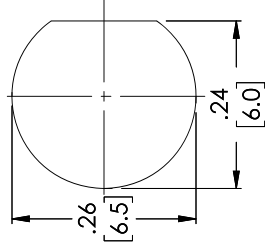
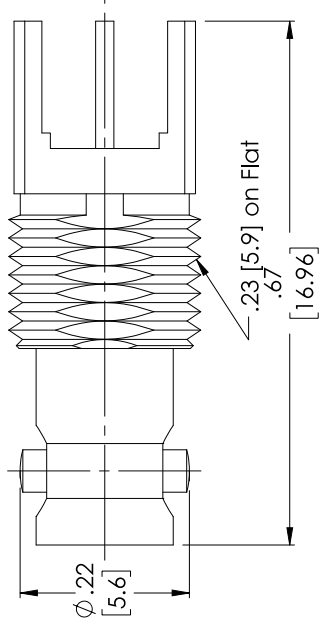
REV	DESCRIPTION	DATE	APPROVED
A	REV A DRAWING RELEASED	05/15/2019	DFRIBELLO

D

D



Recommended PCB Layout



Recommended Mounting Hole

A

A

UNLESS OTHERWISE SPECIFIED ALL DIMENSIONS ARE IN INCHES		SIGNATURE	DATE	MilesTek Military Aerospace Communications Industrial	MILESTEK CORPORATION 301 LEONVILLE ROAD LEONVILLE, PA 17036 PHONE: (940) 484-9400 FAX: (940) 566-1047
OVERALL CABLE LENGTH TOLERANCE: ≤10 [254] = ±.01 [0.25] / -0 >10 [254] ≤100 [2540] = ±.01 [0.25] / -0 >100 [2540] ≤500 [12700] = ±.015 [0.38] / -0 >500 [12700] = +.5% / -3%	DRAWN BY: CHUAN	05/13/2019	TITLE Ultra Tiny BNC Jack, PCB Type		
ALL OTHER DIMENSIONAL TOLERANCES: XX = ±.01 [0.25] XXX = ±.005 [0.13]	CHECKED BY: DFRIBELLO	05/14/2019	CONFIGURATION DETAILS OF UNDIMENSIONED FEATURES MAY VARY	REV. 1	
	APPROVED BY: DFRIBELLO	05/14/2019		DRAWING NUMBER: MAVB00003	
CUSTOMER REFERENCE DOCUMENT:	CAGE CODE: 4Z977	SCALE: NTS	SHEET 1 OF 1		

4	Round Nut	Brass	NICKEL PLATE
3	Inner Contact	BeCu	NICKEL/GOLD PLATE
2	Insulator	PTFE	None
1	Body	Brass	GOLD PLATE
ITEM	Description	Material	Finish

8

7

6

5

4

3

2

1