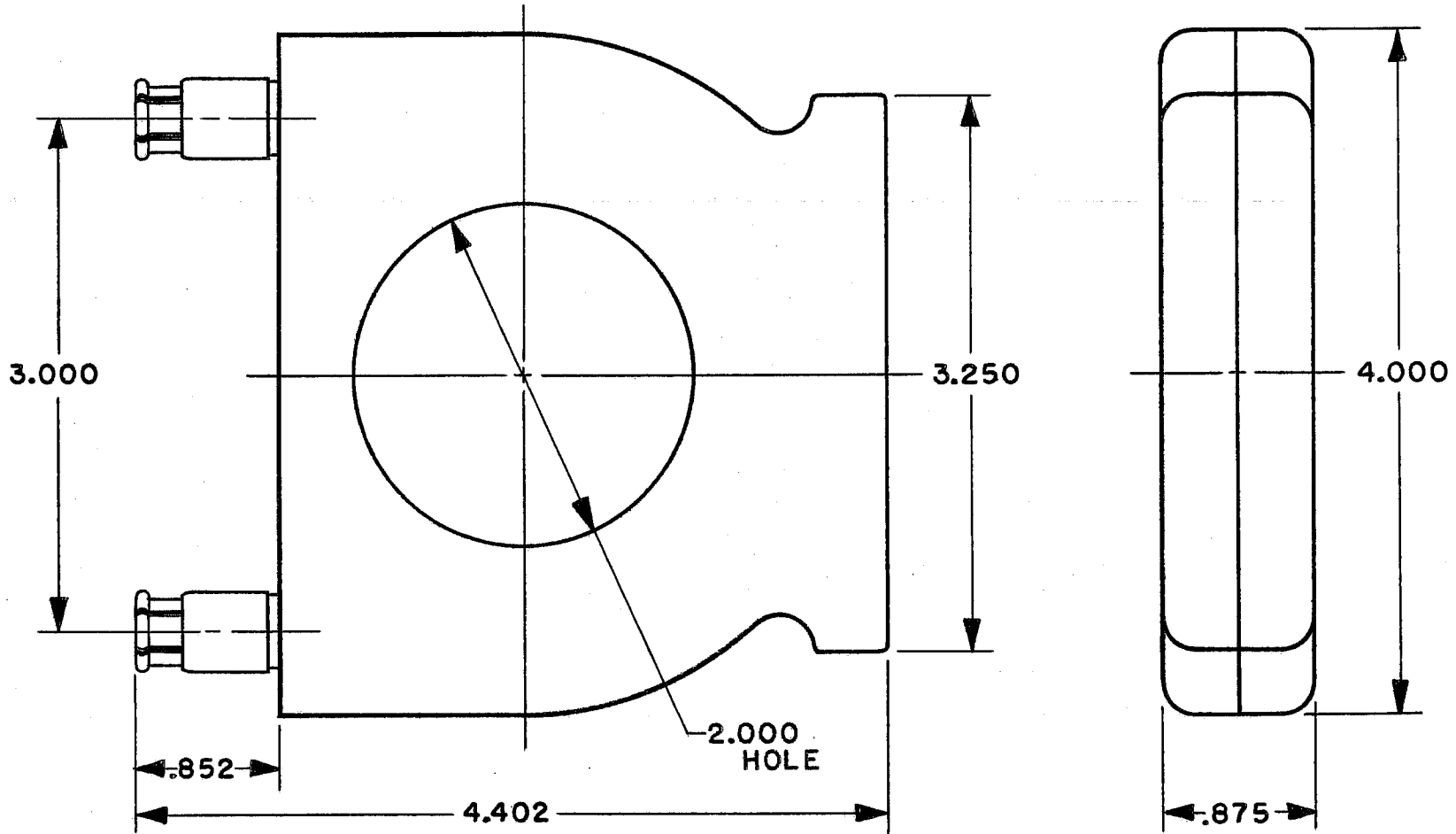


DASH NO	IMPD VALUE	COLOR CODE	MOD NO
-1	50 OHMS	GREEN	LPH50

REVISIONS			1000-0422		SH 1
REV	EO	DESCRIPTION	DWN	APPROVED	DATE
A	4818	REV PER EO	TDM	<i>[Signature]</i>	1-30-80
B	7712	ADDED TOL	FZ	SE:BM; <i>[Signature]</i>	9-2-82

INCH	MM
.030	0.76
.852	21.64
.875	22.22
2.000	50.80
3.000	76.20
3.250	82.55
4.000	101.60
4.402	111.81



2. FINISH: PLUGS, TFS-1A (NICKEL)
HANDLE, SEE COLOR
CODE IN CHART

1. ALL DIM ARE IN INCHES

QTY	DESCRIPTION	PART NUMBER	ITEM
TOL UNLESS SPECIFIED .XX ± .XXX ± .030 .XXXX ± ANGLES ±		TROMPETER ELECTRONICS, INC.	
DWN POB 5-2-75			
CHK <i>[Signature]</i> 8-20-75		MATERIAL	CODE IDENT
ENGR <i>[Signature]</i> 8-21-75			14949
NEXT ASSY		APPR <i>[Signature]</i> 8/21/75	SCALE 1/1
		DATE 8-21-75	DRAWING NO. 1000-0422
			REV B
			SHEET 1 OF 2