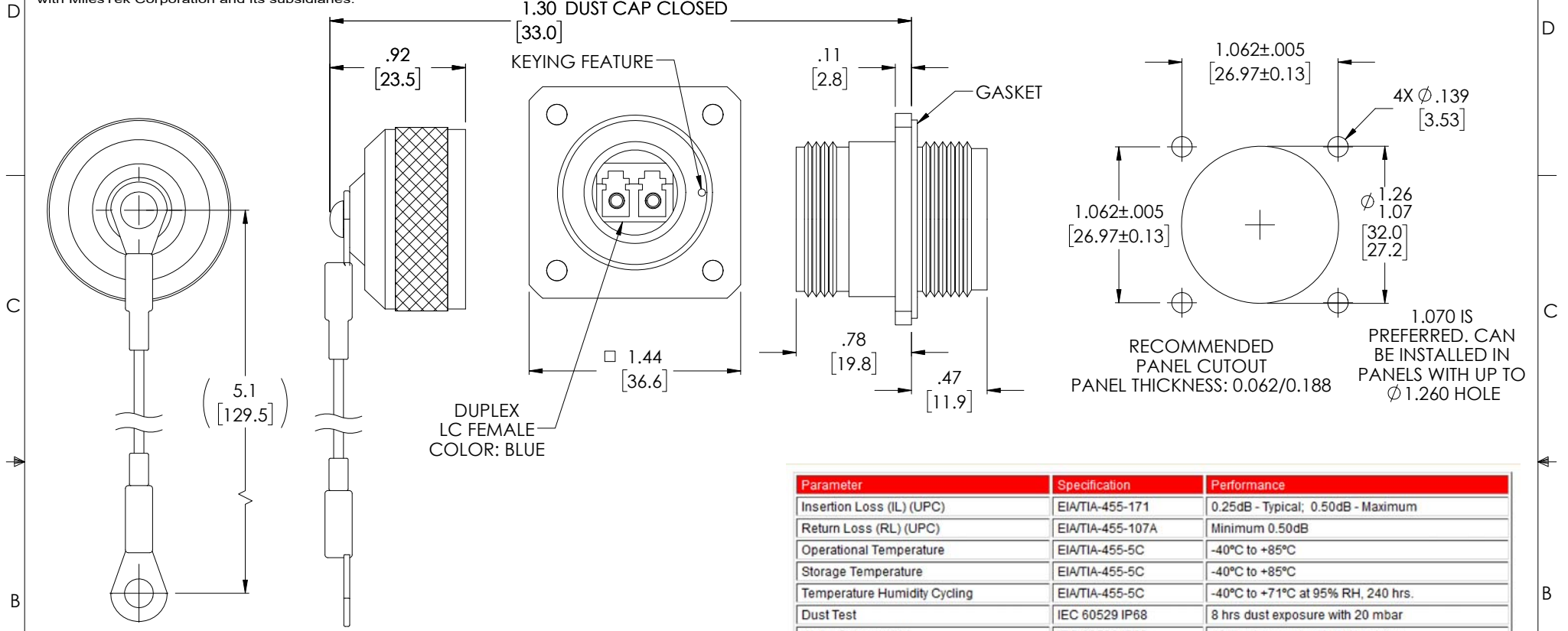


PROPRIETARY NOTICE

This document discloses confidential subject matter in which MilesTek Corporation and its subsidiaries have proprietary rights. Neither receipt nor possession thereof confers or transfers any right to reproduce or disclose the document, any part thereof, any information contained therein, or any physical article or device, or to practice any method or process, except by written permission from, or written agreement with MilesTek Corporation and its subsidiaries.

REVISIONS			
REV	DESCRIPTION	DATE	APPROVED
A	REV A DRAWING RELEASED	06/11/18	B.PUCHASKI



NOTES:

- MATERIAL:
EXTERNAL PARTS: ALUMINUM/BLACK ANODIZE
ADAPTER HOUSING: THERMOPLASTIC
MISC. HARDWARE: STAINLESS STEEL
SEALS: SILICONE / NITRILE
LANYARD: STAINLESS STEEL (NYLON COAT)
- RATING: IP-68 WHEN MATED OR CAPPED PROPERLY
- APPLICATION: SINGLE MODE
- ALL DIMENSIONS ARE FOR REFERENCE ONLY.
- COMPONENT SHALL BE INDIVIDUALLY PACKAGED IN ACCORDANCE WITH MILESTEK SPECIFICATION PS-0054

REGULATORY COMPLIANCE:
CE2011/65/EU (RoHS DIRECTIVE)

Parameter	Specification	Performance
Insertion Loss (IL) (UPC)	EIA/TIA-455-171	0.25dB - Typical; 0.50dB - Maximum
Return Loss (RL) (UPC)	EIA/TIA-455-107A	Minimum 0.50dB
Operational Temperature	EIA/TIA-455-5C	-40°C to +85°C
Storage Temperature	EIA/TIA-455-5C	-40°C to +85°C
Temperature Humidity Cycling	EIA/TIA-455-5C	-40°C to +71°C at 95% RH, 240 hrs.
Dust Test	IEC 60529 IP68	8 hrs dust exposure with 20 mbar
Water Submersion	IEC 60529 IP68	48 hrs. immersion/1 meter water
Cable Retention ¹	EIA/TIA-455-6	400 lbs. for 10 minutes
Mating Durability	EIA/TIA-455-21	500 cycles
Impact	EIA/TIA-455-2C	8 drops, 2.4 meters
Vibration	EIA/TIA-455-11	10-55Hz, 2 hr/axis, 3 axis
Mechanical Shock	EIA/TIA-455-14A	Condition C, 5 shocks/axis
Crush	EIA/TIA-455-26A	450 lbs.

NON CONTROLLED DRAWING IF PRINTED

CAD SYSTEM DRAWING - DO NOT REVISE MANUALLY					
UNLESS OTHERWISE SPECIFIED ALL DIMENSIONS ARE IN INCHES		SIGNATURE	DATE	MilesTek Military Aerospace Communications Industrial	
OVERALL CABLE LENGTH TOLERANCES: ≤12 [305] = +1 [25] / -0 >12 [305] ≤60 [1524] = +2 [51] / -0 >60 [1524] ≤120 [3048] = +4 [102] / -0 >120 [3048] ≤300 [7620] = +6 [152] / -0 >300 [7620] = +5% / -0%		B.PUCHASKI	06/07/18	MILESTEK CORPORATION 301 LEORA LANE, SUITE 100 LEWISVILLE, TX 75056 PHONE: (940) 484-9400 FAX: (940) 566-1047	
ALL OTHER DIMENSIONAL TOLERANCES: X = ±.2 [5.08] XX = ±.02 [51] XXX = ±.005 [13]		CHECKED BY:	06/07/18	TITLE	
DASH		D.GUITADAURO	06/07/18	LC IP68 RCPT FLNG MNT SM DCAP	
NEXT ASSY		APPROVED ENGINEERING:		DRAWING NUMBER:	
USED ON		APPROVED MANUFACTURING:		FYC00010	
APPLICATION		CUSTOMER APPROVAL		SCALE: NTS	SHEET 1 OF 1
CUSTOMER REFERENCE DOCUMENT:		CAGE CODE: 42977			