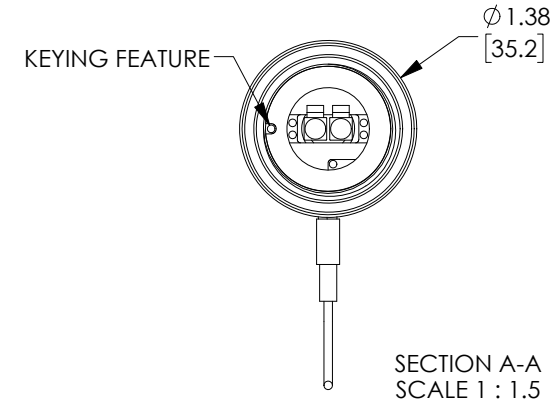
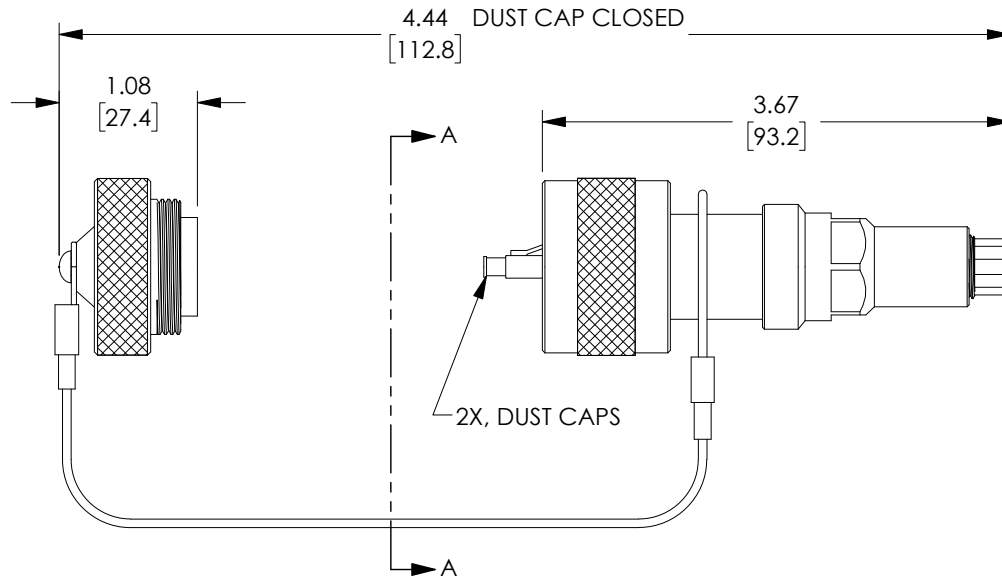


**PROPRIETARY NOTICE**  
 This document discloses confidential subject matter in which MilesTek Corporation and its subsidiaries have proprietary rights. Neither receipt nor possession thereof confers or transfers any right to reproduce or disclose the document, any part thereof, any information contained therein, or any physical article or device, or to practice any method or process, except by written permission from, or written agreement with MilesTek Corporation and its subsidiaries.

REVISIONS			
REV	DESCRIPTION	DATE	APPROVED
A	INITIAL RELEASE	6/11/18	D.FRISIELLO



MODEL NUMBER	LC TYPE
FYB00011	(2) SINGLEMODE, APC, GREEN

Parameter	Specification	Performance
Insertion Loss (IL) (UPC)	EIA/TIA-455-171	0.25dB - Typical; 0.50dB - Maximum
Return Loss (RL) (UPC)	EIA/TIA-455-107A	Minimum 0.50dB
Operational Temperature	EIA/TIA-455-5C	-40°C to +85°C
Storage Temperature	EIA/TIA-455-5C	-40°C to +85°C
Temperature Humidity Cycling	EIA/TIA-455-5C	-40°C to +71°C at 95% RH, 240 hrs.
Dust Test	IEC 60529 IP68	8 hrs dust exposure with 20 mbar
Water Submersion	IEC 60529 IP68	48 hrs. immersion/1 meter water
Cable Retention <sup>1</sup>	EIA/TIA-455-6	400 lbs. for 10 minutes
Mating Durability	EIA/TIA-455-21	500 cycles
Impact	EIA/TIA-455-2C	8 drops, 2.4 meters
Vibration	EIA/TIA-455-11	10-55Hz, 2 hr/axis, 3 axis
Mechanical Shock	EIA/TIA-455-14A	Condition C, 5 shocks/axis
Crush	EIA/TIA-455-26A	450 lbs.

**NOTES:**

- MATERIAL:**  
 EXTERNAL PARTS: ALUMINUM/BLACK ANODIZE  
 ADAPTER HOUSING: THERMOPLASTIC  
 MISC. HARDWARE: STAINLESS STEEL  
 SEALS: SILICONE / NITRILE  
 LANYARD: STAINLESS STEEL (NYLON COAT)
- RATING:** IP-68, WHEN MATED OR CAPPED PROPERLY.
- ALL DIMENSIONS ARE FOR REFERENCE ONLY.**
- COMPONENT SHALL BE INDIVIDUALLY PACKAGED IN ACCORDANCE WITH MILESTEK SPECIFICATION PS-0054.**

**REGULATORY COMPLIANCE:**  
 CE2011/65/EU(RoHS DIRECTIVE)

**NON CONTROLLED DRAWING IF PRINTED**

CAD SYSTEM DRAWING - DO NOT REVISE MANUALLY					
UNLESS OTHERWISE SPECIFIED ALL DIMENSIONS ARE IN INCHES		SIGNATURE	DATE	MilesTek Military   Aerospace   Communications   Healthcare	
OVERALL CABLE LENGTH TOLERANCE: $\leq 12$ [305] = +1 [25] / -0 $> 12$ [305] $\leq 60$ [1524] = +2 [51] / -0 $> 60$ [1524] $\leq 120$ [3048] = +4 [102] / -0 $> 120$ [3048] $\leq 300$ [7620] = +6 [152] / -0 $> 300$ [7620] = +5% / -0%		DRAWN BY: D.FRISIELLO	5/25/18	MILESTEK CORPORATION 301 LEORA LANE, SUITE 100 LEWISVILLE, TX 75056 PHONE: (940) 484-9400 FAX: (940) 566-1047	
ALL OTHER DIMENSIONAL TOLERANCES: $X = \pm 2$ [5.08] $XX = \pm .02$ [5.1] $XXX = \pm 0.005$ [1.3]		CHECKED BY: D.GUITADAURO	6/11/18	TITLE MT IP68 DPLX PLUG SM APC DCAP	
APPROVED ENGINEERING: D.GUITADAURO		APPROVED MANUFACTURING:	6/11/18	DRAWING NUMBER: FYB00011	
CUSTOMER APPROVAL:		CAGE CODE: 42977		SCALE: NTS	
DASH NEXT ASSY USED ON		APPLICATION		SHEET 1 OF 1	