

8

7

6

5

4

3

2

1

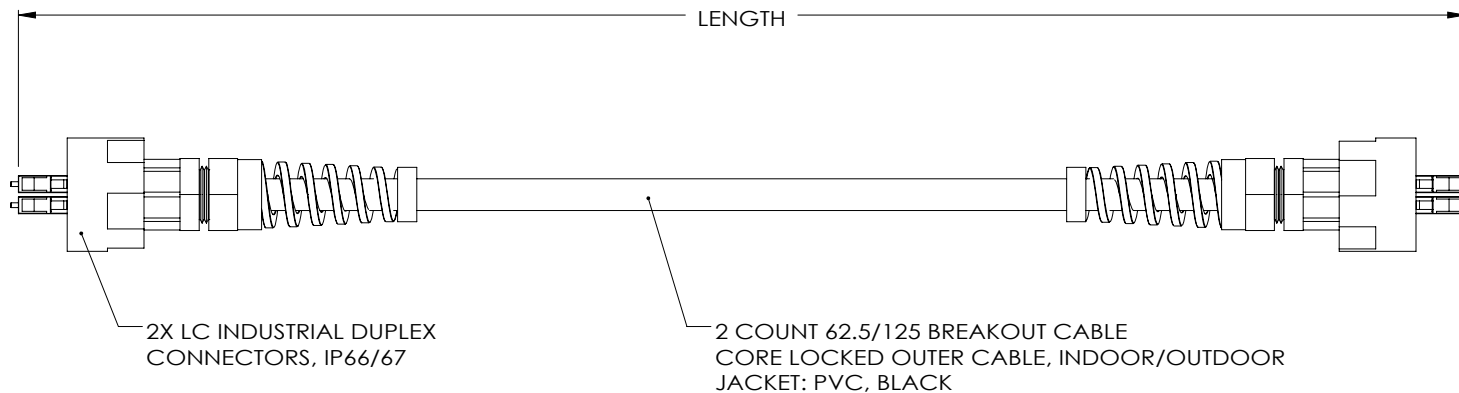
PROPRIETARY NOTICE

This document discloses confidential subject matter in which MilesTek Corporation and its subsidiaries have proprietary rights. Neither receipt nor possession thereof confers or transfers any right to reproduce or disclose the document, any part thereof, any information contained therein, or any physical article or device, or to practice any method or process, except by written permission from, or written agreement with MilesTek Corporation and its subsidiaries.

F1A0001
A

REVISIONS

REV	DESCRIPTION	DATE	APPROVED
A	INITIAL RELEASE	06/07/17	G.HUAN



PART NUMBER	LENGTH METERS [FEET]
F1A0001-1M	1.0 [3.28]
F1A0001-3M	3.0 [9.84]
F1A0001-5M	5.0 [16.40]
F1A0001-10M	10.0 [32.80]

NOTES:

- LC CONNECTOR ASSEMBLY POLISH TYPE: PC
- ALL CONNECTORS ACCOMPANIED WITH A DUST CAP INSTALLED (NOT SHOWN).
- CABLE ASSEMBLY SHALL BE INDIVIDUALLY PACKAGED IN ACCORDANCE WITH SPEC. PS-0054.

REGULATORY COMPLIANCE:
CE2011/65/EU(RoHS DIRECTIVE)

NON CONTROLLED DRAWING IF PRINTED

AS9100C CERTIFIED			CAD SYSTEM DRAWING - DO NOT REVISE MANUALLY			
			SIGNATURE	DATE		
			DRAWN BY: G.HUAN	06/07/17	<small>MILESTEK CORPORATION 1506 INTERSTATE 35 WEST DENTON, TX 76207 PHONE: 866.524.1553 FAX: 940.591.7086</small>	
			CHECKED BY: Dustin G.	06/07/17	TITLE	
			APPROVED ENGINEERING: S.PAN	06/07/17	CA LC-LC 62.5/125 IND DPX	
			APPROVED MANUFACTURING:		SIZE	
			CUSTOMER APPROVAL		DRAWING NUMBER:	
					A F1A0001	
DASH	NEXT ASSY	USED ON	CUSTOMER REFERENCE DOCUMENT:		CAGE CODE: 4Z977	SCALE: NTS
APPLICATION						SHEET 1 OF 1

8

7

6

5

4

3

2

1