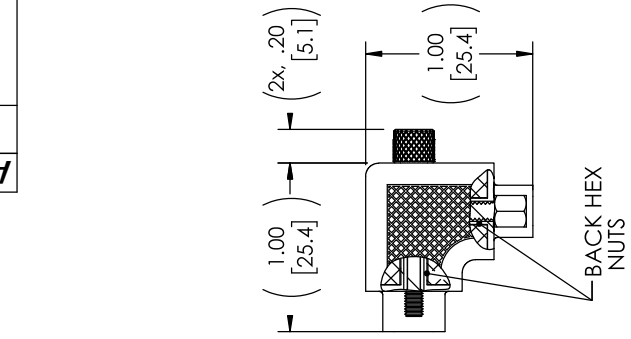
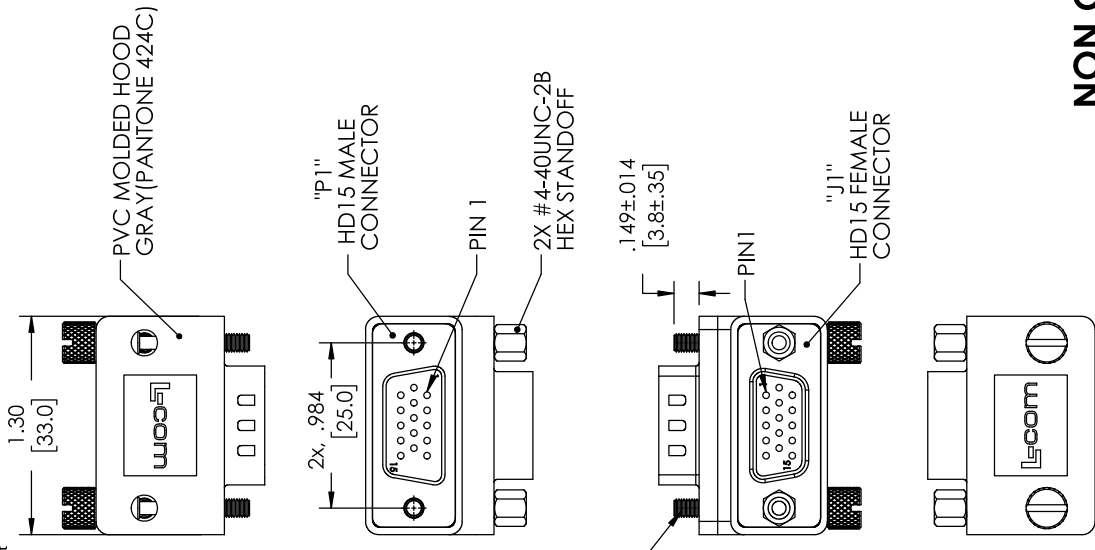


8 7 6 5 4 3 2 1

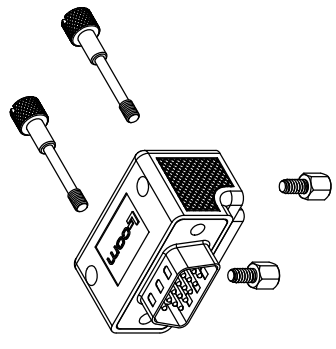
**PROPRIETARY NOTICE**  
 This document discloses confidential subject matter in which MilesTek Corporation and its subsidiaries have proprietary rights. Neither receipt nor possession thereof confers or grants any right, title, or interest in the product or any part thereof, and no information contained therein, or any physical article or device, or to practice any method or process, except by written permission from, or written agreement with MilesTek Corporation and its subsidiaries.

WIRING MAP	
"P1"	"J1"
1	1
2	2
3	3
4	4
5	5
6	6
7	7
8	8
9	9
10	10
11	11
12	12
13	13
14	14
15	15
SHELL	SHELL

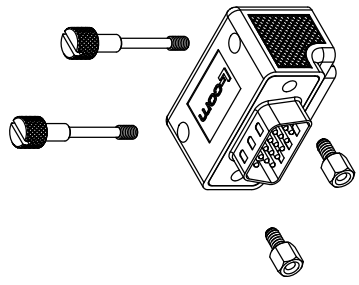


**HARDWARE CONFIGURATIONS**

STANDARD HARDWARE CONFIGURATION



ALTERNATE HARDWARE CONFIGURATION



**NON CONTROLLED DRAWING IF PRINTED**

**NOTES:**

- ADAPTER SHALL BE TESTED FOR CONTINUITY.
- ADAPTER SHALL BE INDIVIDUALLY PACKAGED IN ACCORDANCE WITH MILESTEK SPECIFICATION PS-0054.
- PRODUCT SHIPPED IN STANDARD HARDWARE CONFIGURATION SHOWN ABOVE AND IN EXPLODED VIEW.
- OPERATING TEMPERATURE RANGE: -15°C--70°C

**REGULATORY COMPLIANCE:**  
 CE2011/65/EU (RoHS DIRECTIVE)

REV	DESCRIPTION	DATE	APPROVED
A	REV A DRAWING RELEASED	05/15/18	B.PUCHASKI
DSC00288			

REV A	
-------	--

SIGNATURE		DATE	CAD SYSTEM DRAWING - DO NOT REVISE MANUALLY	
DRAWN BY: B.PUCHASKI		05/10/18	MILESTEK CORPORATION 301 BROADWAY, SUITE 100 ROCKY HILL, CT 06151 PHONE: (949) 484-4400 FAX: (949) 564-1047	
CHECKED BY: J.JARBOY		05/10/18	MilesTek www.milestek.com	
APPROVED BY: B.GATES		05/10/18	TITLE: ADPT, HDB15M/F RA ORIENTATION 1	
APPROVED MANUFACTURING:			SHEET: A	
CUSTOMER APPROVAL:			DRAWING NUMBER: DSC00288	
UNLESS OTHERWISE SPECIFIED ALL DIMENSIONS ARE IN INCHES			SCALE: NTS	
OVERALL CABLE LENGTH TOLERANCE:			CAGE CODE: 47977	
>12 (305.560) [1.244] = +.01 (-.01) / -0			SHEET 1 OF 1	
>120 (3048) [3.20] [7.620] = +.01 [0.25] / -0				
>300 (7620) = +.03% / -0%				
ALL OTHER DIMENSIONAL TOLERANCES:				
.X ± .01 (0.025)				
.XX ± .005 (0.127)				
.XXX ± .003 (0.076)				
CUSTOMER REFERENCE DOCUMENT:				
DASH:	NEXT ASSY:	USED ON:	APPLICATION:	

8 7 6 5 4 3 2 1