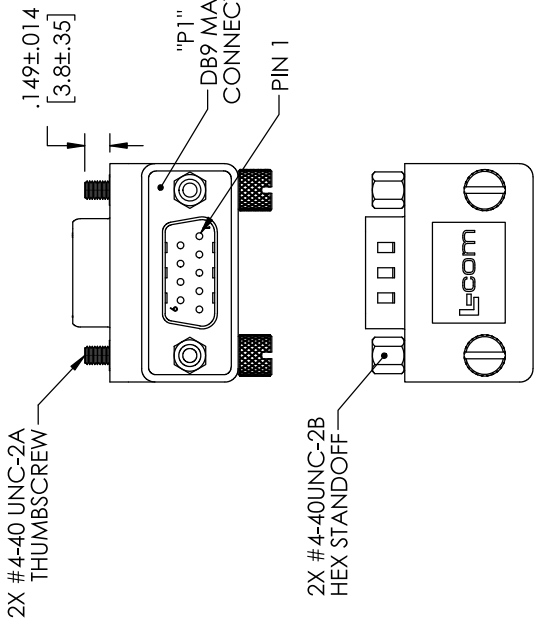
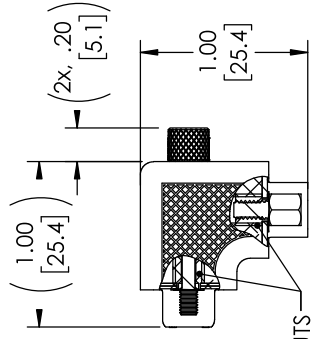
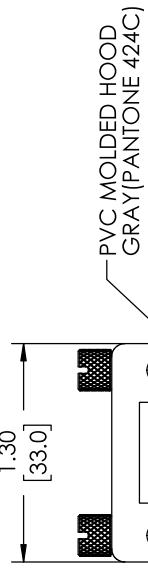


PROPRIETARY NOTICE

This document discloses confidential subject matter in which MilesTek Corporation and its subsidiaries have proprietary rights. Neither receipt nor possession thereof confers or grants the right to use, copy, reproduce, or disseminate any part of the information contained herein, or any physical article or device, or to practice any method or process, except by written permission from, or written agreement with MilesTek Corporation and its subsidiaries.

WIRING MAP	
"P1"	"J1"
1	1
2	2
3	3
4	4
5	5
6	6
7	7
8	8
9	9
SHELL	SHELL



PVC MOLDED HOOD
GRAY (PANTONE 424C)

"J1" FEMALE
CONNECTOR

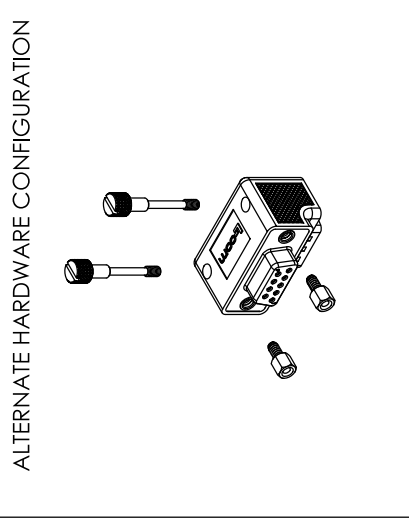
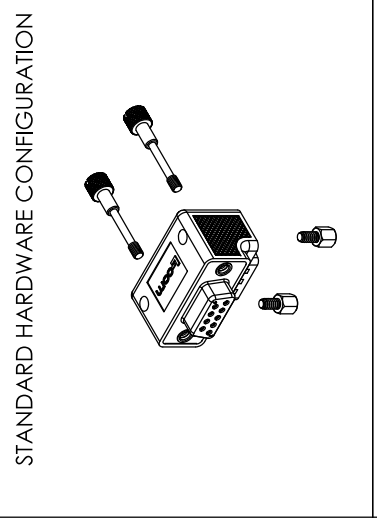
BACK HEX NUTS

2X #4-40 UNC-2A
THUMBSCREW

"P1" MALE
CONNECTOR

2X #4-40 UNC-2B
HEX STANDOFF

HARDWARE CONFIGURATIONS



NOTES:

- ADAPTER SHALL BE TESTED FOR CONTINUITY.
- ADAPTER SHALL BE INDIVIDUALLY PACKAGED IN ACCORDANCE WITH MILESTEK SPECIFICATION PS-0054.
- PRODUCT SHIPPED IN STANDARD HARDWARE CONFIGURATION SHOWN ABOVE AND IN EXPLODED VIEW.
- OPERATING TEMPERATURE RANGE: -15°C~+70°C

REGULATORY COMPLIANCE:
CE2011/65/EU (RoHS DIRECTIVE)

REV	DESCRIPTION	DATE	APPROVED
A	REV A DRAWING RELEASED	05/16/18	B.PUCHASKI

DSC00286

NON CONTROLLED DRAWING IF PRINTED

CAD SYSTEM DRAWING - DO NOT REVISE MANUALLY			
UNLESS OTHERWISE SPECIFIED ALL DIMENSIONS ARE IN INCHES	SIGNATURE	DATE	MILESTEK CORPORATION 301 ROCKVALE DRIVE, SUITE 100 MILWAUKEE, WI 53212 PHONE: (940) 484-4400 FAX: (940) 564-1047
OVERALL CABLE LENGTH TOLERANCE: >12" (305) 560 (1524) = +.015 (-.015) / 0 >12" (305) 560 (1524) = +.015 (-.015) / 0 >120" (3048) 5320 (13720) = +.015 (-.015) / 0 >300" (7620) = +.030 / -.030	DRAWN BY: B.PUCHASKI	05/10/18	MilesTek MILES TEK CORPORATION
ALL OTHER DIMENSIONAL TOLERANCES: X = ± .015 (0.38) Y = ± .015 (0.38) Z = ± .015 (0.38) XXX = ± .003 (.076)	CHECKED BY: J.JAROVY	05/10/18	
CUSTOMER REFERENCE DOCUMENT:	APPROVED BY: B.GATES	05/10/18	TITLE ADPT1,DB9M/F RA ORIENTATION 2
DASH	NEXT ASSY	USED ON	SHEET 1 OF 1
APPLICATION		CAGE CODE: 42977	DRAWING NUMBER: DSC00286