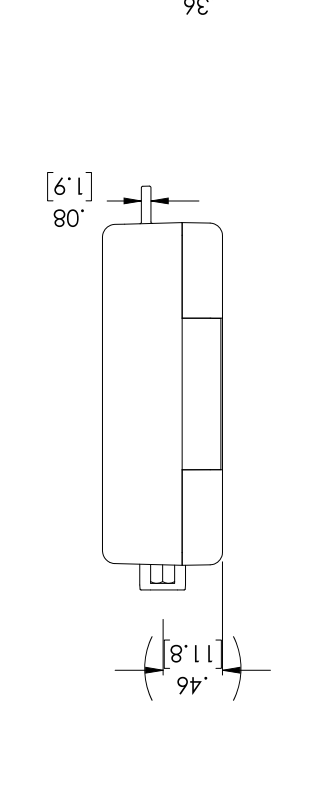
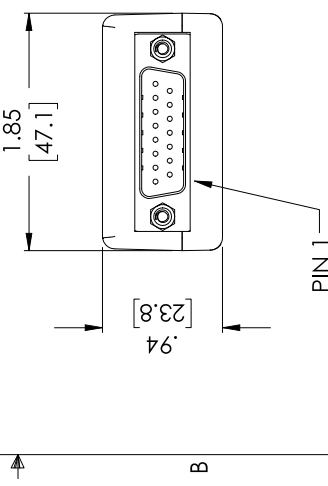
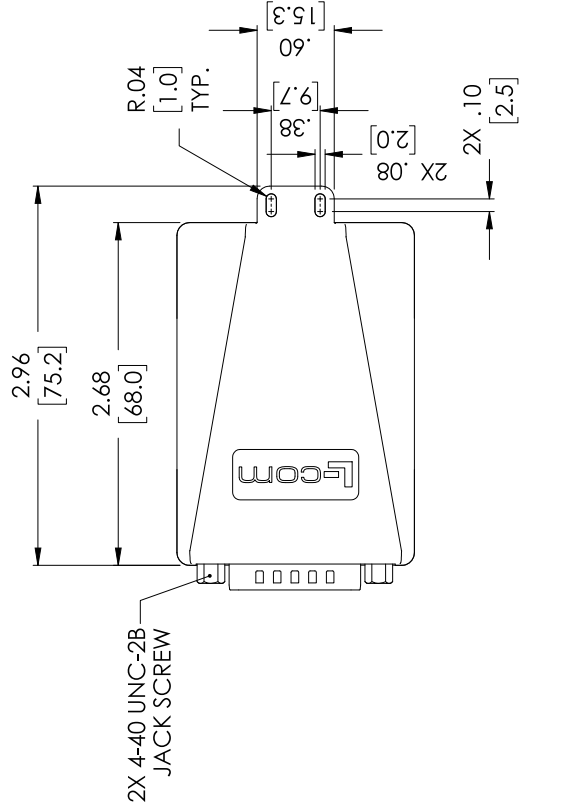
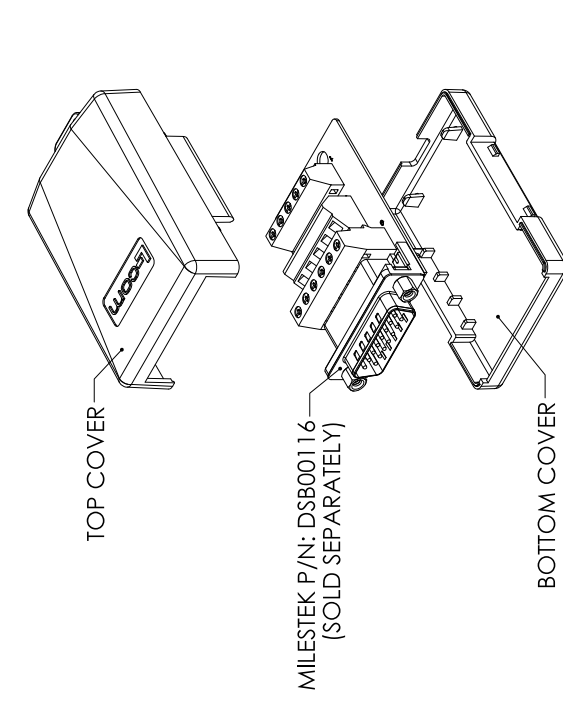


8 7 6 5 4 3 2 1

**PROPRIETARY NOTICE**

This document discloses confidential subject matter in which MilesTek Corporation and its subsidiaries have proprietary rights. Neither receipt nor possession thereof confers or transfers any right to reproduce or disclose the contents of any physical article or device, or to practice any method or process, except by written permission from, or written agreement with MilesTek Corporation and its subsidiaries.

REV	DESCRIPTION	DATE	APPROVED
A	REV A DRAWING RELEASED	12/20/2018	BPUCHASKI



**NOTES:**

1. MATERIAL: ABS, BLACK, UL94V-0
2. WORKS WITH DB15 MALE CONNECTOR FOR FIELD TERMINATION MILESTEK P/N: DSB00116 (SOLD SEPARATELY).
3. TIE WRAP FOR CABLE INCLUDED.
4. COVER SHALL BE INDIVIDUALLY PACKAGED UNASSEMBLED IN ACCORDANCE WITH MILESTEK SPECIFICATION PS-0054.

MilesTek		MILESTEK CORPORATION 301 EDWARDS DRIVE, SUITE 100 MILWAUKEE, WI 53212 PHONE: (940) 484-9400 FAX: (940) 564-1047	
DRAWN BY:	BPUCHASKI	SIGNATURE	DATE
CHECKED BY:	DFRIBELLO		12/14/2018
APPROVED BY:	BGATES		12/17/2018
UNLESS OTHERWISE SPECIFIED ALL DIMENSIONS ARE IN INCHES		TITLE	
OVERALL CABLE LENGTH TOLERANCE: >.50 [12.7] (9.5) = +.1 [2.5] / -.0 [0.0] >.10 [2.54] <.50 [12.7] = +.0 [0.0] / -.0 [0.0] >.10 [2.54] <.50 [12.7] = +.1 [2.5] / -.0 [0.0]		COVER FOR DSB00116 FIELD TERMINATION CONNECTOR	
ALL OTHER DIMENSIONAL TOLERANCES: XX = ±.01 [0.25] XXX = ±.005 [0.13]		CONFIGURATION DETAILS OF UNDIMENSIONED FEATURES MAY VARY	
CUSTOMER REFERENCE DOCUMENT:		CAGE CODE:	4Z977
SEE	DRAWING NUMBER:	SCALE:	INITS
A	DSB00117		
REV.			SHEET 1 OF 1
A			

D C B A