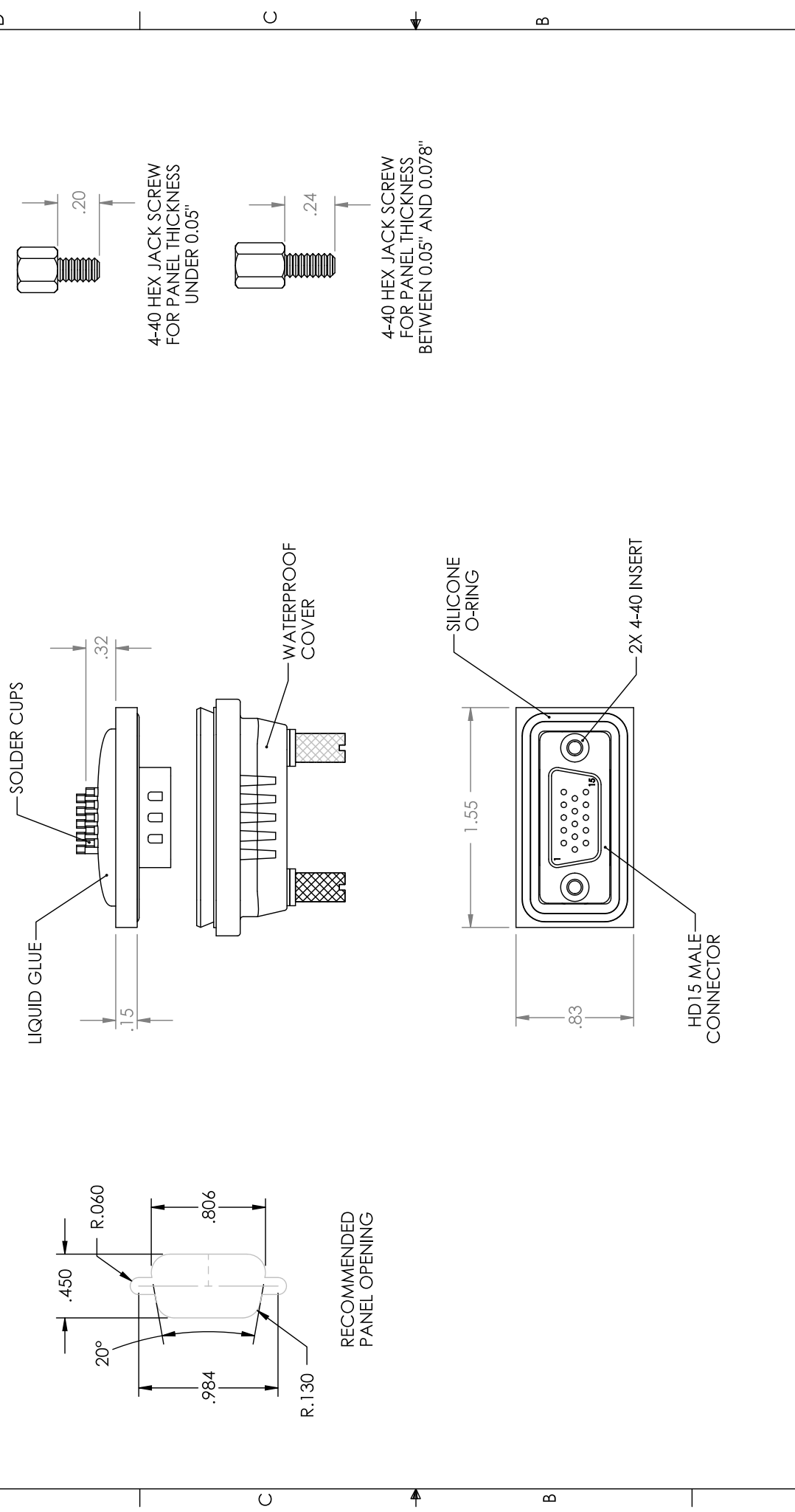


8 7 6 5 4 3 2 1

PROPRIETARY NOTICE
 This document discloses confidential subject matter in which MilesTek Corporation and its subsidiaries have proprietary rights. Neither receipt nor possession thereof confers or transfers any right to reproduce or disclose the content, or any part thereof, to any person or entity without the written consent of MilesTek Corporation. This notice shall apply to any physical article or device, or to practice any method or process, except by written permission from, or written agreement with MilesTek Corporation and its subsidiaries.



REV	DESCRIPTION	DATE	APPROVED
A	REV A DRAWING RELEASED	01/01/2019	BPUCHASKI

		MILESTEK CORPORATION 301 LEONARD BLVD, SUITE 100 FARMINGTON, CT 06031 PHONE: (949) 484-9400 FAX: (949) 566-1047	
UNLESS OTHERWISE SPECIFIED ALL DIMENSIONS ARE IN INCHES: >.50 [3/2] (3/32) = +.020 / -0 >.10 [1/32] <.50 [3/64] = +.010 / -0 >.120 [3/64] <.500 [7/620] = +.0152 / -0 >.500 [7/620] = +.5% / -.5% ALL OTHER DIMENSIONAL TOLERANCES: .XX = ±.005 .XXX = ±.005 [1.0]		TITLE HD15 MALE WATERPROOF CONNECTOR KIT W/COVER	
SIGNATURE DRAWN BY: BPUCHASKI CHECKED BY: DFRIBELLO APPROVED BY: BGATES		DATE 12/10/2018 12/17/2018 12/14/2018	
CONFIGURATION DETAILS OF UNDIMENSIONED FEATURES MAY VARY		CAGE CODE: 4Z977	
CUSTOMER REFERENCE DOCUMENT:		SEE DRAWING NUMBER: DSB00009	
SCALE: NTS		SHEET 1 OF 1	

NOTES:
 1. IP (INGRESS PROTECTION) RATING: 67
 2. ASSEMBLY TO BE INDIVIDUALLY PACKAGED AS PER MILESTEK SPEC PS-0054.