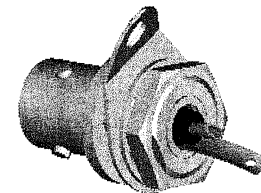


TABLE 1				
KEYING LETTER	A°	B°	C°	COLOR BAND
NONE	120°	120°	120°	NONE
S	135°	135°	90°	WHITE
T	100°	150°	110°	RED
U	120°	130°	110°	ORANGE
V	115°	130°	115°	YELLOW
W	125°	110°	125°	GREEN
X	130°	100°	130°	BLUE
Y	110°	140°	110°	VIOLET
Z	100°	160°	100°	GRAY

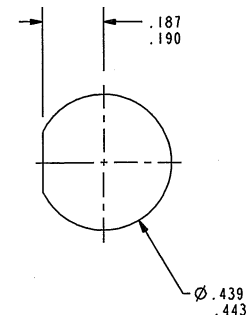
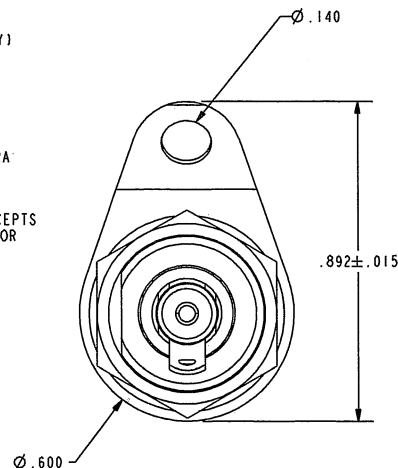
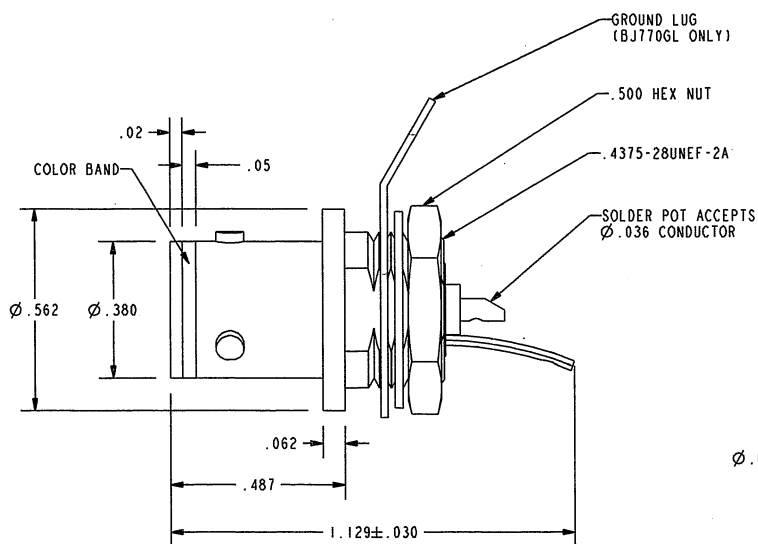
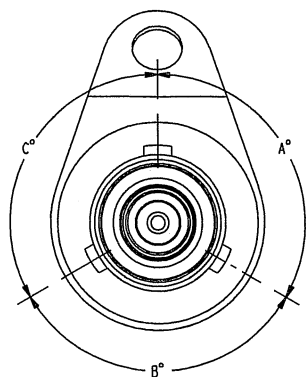
TABLE 2	
MODEL NUMBER	INCLUDED ITEMS
BJ770	CONNECTOR HEX NUT LOCK WASHER
BJ770GL	CONNECTOR HEX NUT LOCK WASHER GROUND LUG

DATA CONTAINED IN THIS DOCUMENT IS PROPRIETARY OF TROMPETER ELECTRONICS INC AND SHALL NOT BE DISCLOSED, COPIED OR USED FOR PROCUREMENT OR MANUFACTURE WITHOUT EXPRESS WRITTEN PERMISSION.

REVISIONS			
REV	DESCRIPTION	DATE	APPROVED
D	REVISED PER ECO # 16538	2/25/08	<i>[Signature]</i>

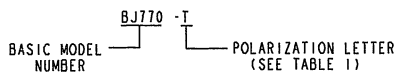


SCALE 2/1



RECOMMENDED PANEL CUTOUT

4. EXAMPLE OF COMPLETE MODEL NUMBER:



3. MAXIMUM PANEL THICKNESS .125

2. SOCKET CONTACT CONCENTRIC TWINAX/  
TRIAx TRB SOLDER POT BULKHEAD  
MOUNT RECEPTACLE

1. TFS-1A (TOTAL BUILD-UP .000180-.000450 PER SURFACE)

NOTES: UNLESS OTHERWISE SPECIFIED.

**RED INDICATES ORIGINAL**

305-0594	INTERPRET DRAWING PER MIL-STD-100. DIMENSIONS ARE IN INCHES AND INCLUDE FINISH AND THICKNESS UNLESS OTHERWISE SPECIFIED	TOL: UNLESS SPECIFIED .XX ± .XXX ± .005 .XXXX ± ANGLE ±	<p><b>TROMPETER</b> ELECTRONICS, INC.</p>																
305-0537																			
305-0536																			
305-0278	DATE: N. JOHNSON 1-9-08	MATERIAL	TITLE:																
305-0138	APPROVED: <i>[Signature]</i> 2-22-08	FINISH	BJ770/S/T/U/V/ W/X/Y/Z																
22-01	QUALITY																		
22-04	MANUF																		
22-09	APPROVED: <i>[Signature]</i> 2/22/08																		
NEXT ASSY	PROTE FILE NO. 3-0296	DO NOT SCALE DWG	<table border="1"> <tr> <td>SIZE</td> <td>CAGE CODE</td> <td>DRAWING NO.</td> <td>REV</td> </tr> <tr> <td>B</td> <td>14949</td> <td>3-0296</td> <td>D</td> </tr> <tr> <td>SCALE</td> <td>DATE</td> <td>SHEET</td> <td>IC</td> </tr> <tr> <td>3/1</td> <td>6-2-95</td> <td></td> <td></td> </tr> </table>	SIZE	CAGE CODE	DRAWING NO.	REV	B	14949	3-0296	D	SCALE	DATE	SHEET	IC	3/1	6-2-95		
SIZE	CAGE CODE	DRAWING NO.	REV																
B	14949	3-0296	D																
SCALE	DATE	SHEET	IC																
3/1	6-2-95																		