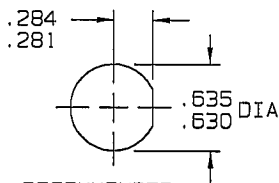
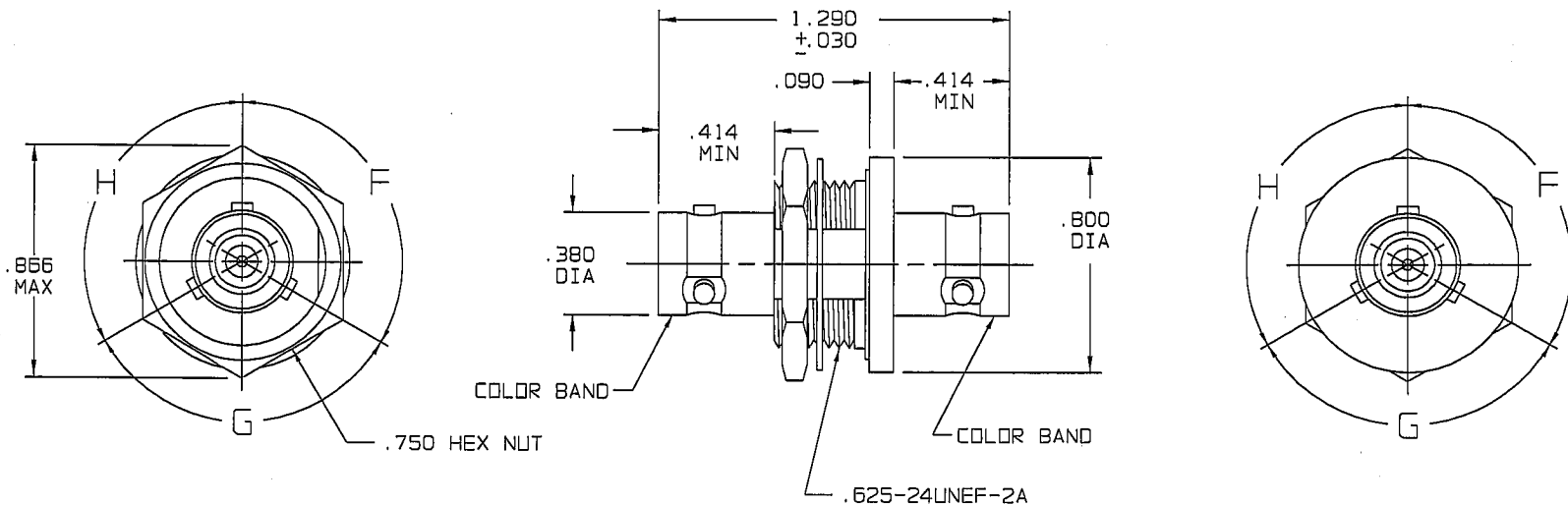


POLARIZATION CHART				
KEYING LETTER	F DEGREES	G DEGREES	H DEGREES	COLOR BAND
T	100°	150°	110°	RED
U	120°	130°	110°	ORANGE
V	115°	130°	115°	YELLOW
W	125°	110°	125°	GREEN
X	130°	100°	130°	BLUE
Y	110°	140°	110°	VIOLET
Z	100°	160°	100°	GRAY
S	135°	135°	90°	WHITE
NONE	120°	120°	120°	NONE

DATA CONTAINED IN THIS DOCUMENT IS PROPRIETARY TO TROMPETER ELECTRONICS INC. AND SHALL NOT BE DISCLOSED, COPIED OR USED FOR PROCUREMENT OR MANUFACTURE WITHOUT EXPRESS WRITTEN PERMISSION OF TROMPETER ELECTRONICS INC.

REVISIONS		3-0057	SH 1
REV	DESCRIPTION	DATE	APPROVED
G	REVISED PER ECD 14834	12-5-02	AAH

**RED INDICATES ORIGINAL**



RECOMMENDED  
PANEL CUTOUT  
SCALE: NONE

5. EXAMPLE OF COMPLETE MODEL NO:

BJ73 T  
BASIC MODEL NO ———  
POLARIZATION LETTER ———

4. CONCENTRIC TWINAX/TRIAX 3-LUG BAYONET FEED THRU INSULATED BULKHEAD RECEPTACLE

3. MAX PNL THK .187

2. FINISH: TFS-1A (NICKEL)

1. ALL DIM ARE IN INCHES

INTERPRET DRAWING PER MIL-STD-100 DIMENSIONS ARE IN INCHES AND INCLUDE FINISH THICKNESS UNLESS OTHERWISE SPECIFIED		TOL: UNLESS SPECIFIED .XX .XXX ± .005 .XXXX ANGLES				
DRAWN AAH	DATE 12-2-02	MATERIAL:	TITLE: BJ73			
CHECKED DD	DATE 12/4/02	FINISH:	SIZE A	CAGE CODE 14949	DRAWING NO. 3-0057	REV. G
QUANTITY MIN	DATE 5 DEC 02	SCALE NONE	DATE: 2-5-81	SHEET 1C	DD NOT SCALE DWG	
APPROVED AAH	DATE 12/4/02	NEXT ASSY				
CAD FILE NO 3-0057G						