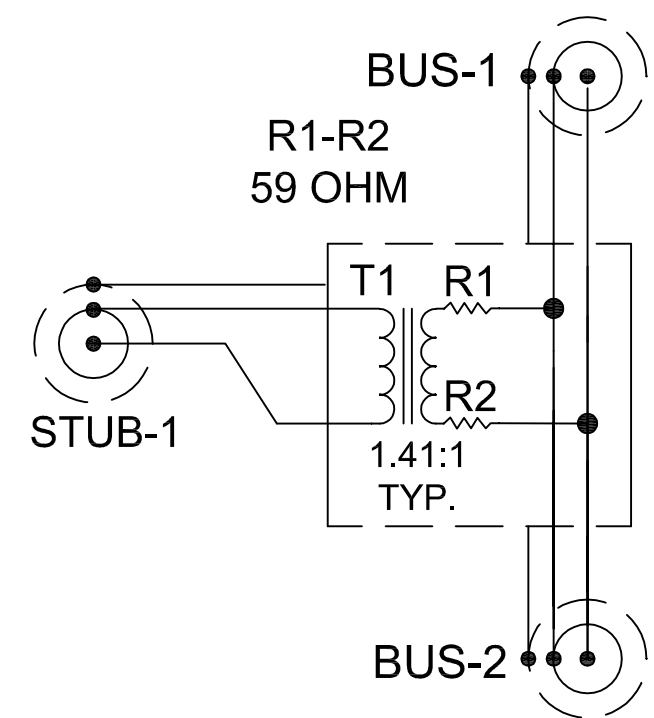
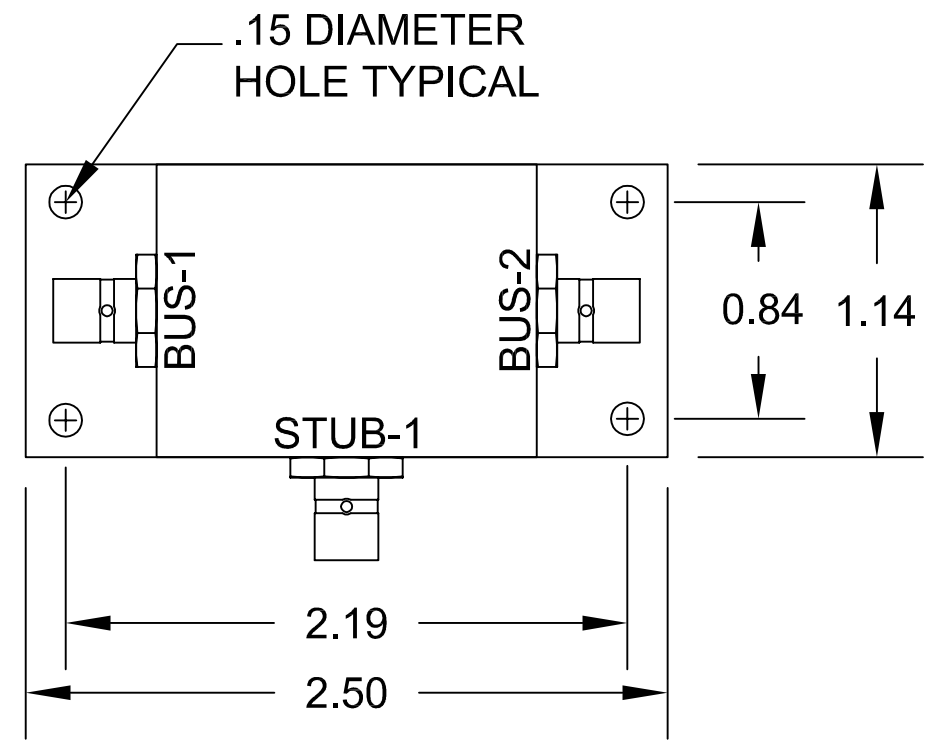
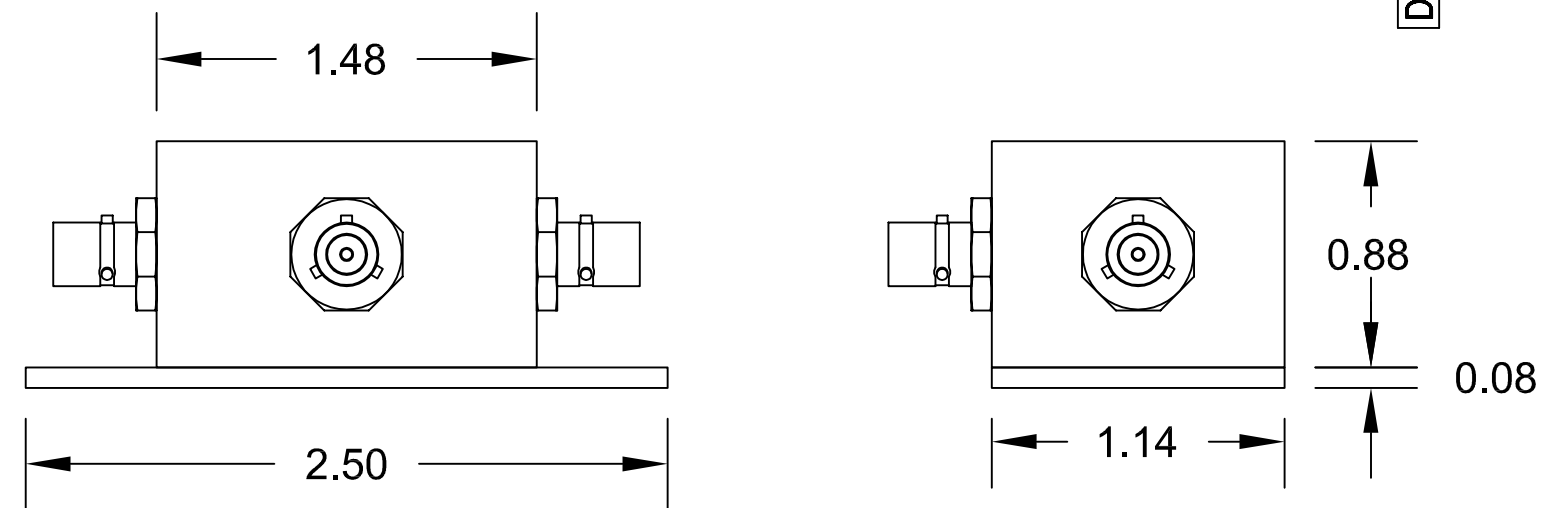


REVISION			
REV	DESCRIPTION	DATE	APPROVED
A	OUT LINE DRAWING	08/14/14	



COUPLER SPECIFICATIONS:

- T1 = 1.4CT:1CT
- R1-R2 = 59.0 OHM
- CONNECTORS: 3 LUG SUB MIN JACK
- HOUSING: DIE CAST A360 ALUMINUM ALLOY
- CLEAR ALODINE AND PAINTED WITH BAKED ENAMEL, COLOR BLUE.
- BASE PLATE: 5052-H32 ALUMINUM, SATIN FINISH
- ENCAPSULANT COMPOUND: PC2021AB-400CC

PROPRIETARY NOTICE

This document discloses confidential subject matter in which MilesTek Corporation and its subsidiaries have proprietary rights. Neither receipt nor possession thereof confers or transfers any right to reproduce or disclose the document, any part thereof, any information contained therein, or any physical article or device, or to practice any method or process, except by written permission from, or written agreement with MilesTek Corporation and its subsidiaries.

AS9100C CERTIFIED		CAD SYSTEM DRAWING - DO NOT REVISE MANUALLY			
UNLESS OTHERWISE SPECIFIED ALL DIMENSIONS ARE IN INCHES DECIMALS--X--±N/A DECIMALS--XX--±1.00 DECIMALS--XXX--±N/A ANGLES--±1N/A		SIGNATURE	DATE	 MILESTEK CORPORATION 1506 INTERSTATE 35 WEST DENTON, TX 76207 PHONE: 866.524.1553 FAX: 940.591.7086	
		DRAWN BY: D. JOHNSON	08/14/14		
		CHECKED BY: M. GREENHILL	08/14/14		
		APPROVED ENGINEERING:			
CUSTOMER CONTACT:		CUSTOMER APPROVAL		TITLE	
CUSTOMER REFERENCE DOCUMENT:		CAGE CODE: 4Z977		1 STUB BUS COUPLER ASSEMBLY	
APPLICATION		SCALE: NTS		DRAWING NUMBER: BC-1003-1	
		DO NOT SCALE DRAWING		SHEET 1 OF 1	