


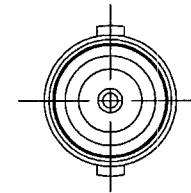
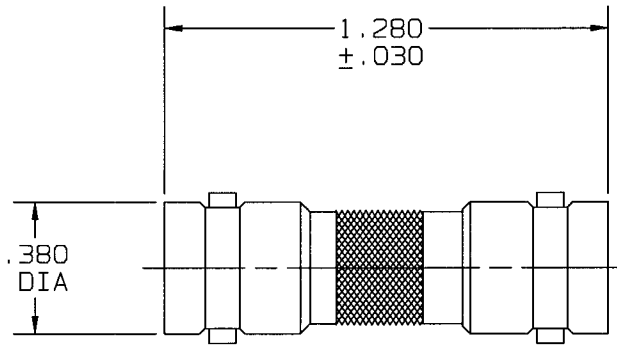
# RED INDICATES ORIGINAL

DATA CONTAINED IN THIS DOCUMENT IS PROPRIETARY TO TROMPETER ELECTRONICS INC. AND SHALL NOT BE DISCLOSED, COPIED OR USED FOR PROCUREMENT OR MANUFACTURE WITHOUT EXPRESS WRITTEN PERMISSION.

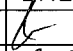
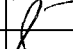
REVISIONS			1-0469		SH 1C
REV	ECD	DESCRIPTION	DWN	APPROVED	DATE
A	13102	REVISED, REDRAWN AND GENERAL UPDATE; ADDED TOLERANCES; DRAWING NUMBER WAS 1000-0469; SEE ECD	DKC		11/2/99

DASH NO	MODEL NO	IMPD OHMS
-1	AD28	50
-2	UAD28	75

INCH	MM
.005	0.13
.030	0.76
.380	9.65
1.280	32.51



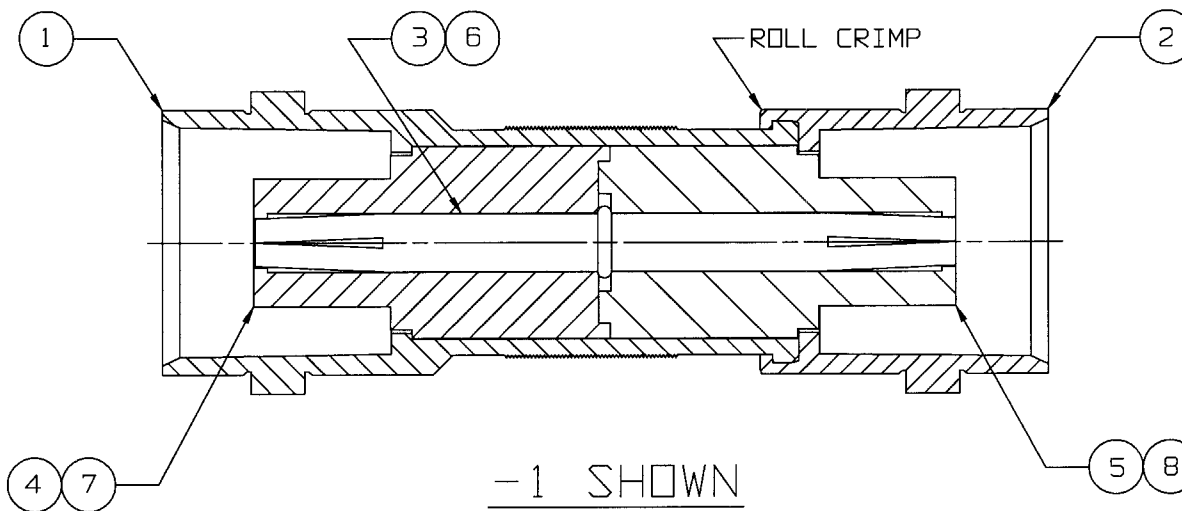
3. WITHIN SERIES FEMALE BNC FEED THRU ADAPTER BOTH 50 & 75 OHM VERSIONS
2. FINISH: TFS-1A (NICKEL)
1. ALL DIM ARE IN INCHES

QTY	DESCRIPTION		PART NUMBER	ITEM		
	TOL UNLESS SPECIFIED .XX ± .XXX ±.005 .XXXX ± ANGLES ±		<b>TROMPETER ELECTRONICS, INC.</b>	U/AD28		
DWN	DKC	10-20-99			MATERIAL	CODE IDENT
CHK		11-12-99	—	<b>14949</b>	<b>1-0469</b>	<b>A</b>
ENGR						
NEXT ASSY	APPR	11-12-99	SCALE 2\1	DATE 1-23-81	SHEET	1C

# RED INDICATES ORIGINAL

DATA CONTAINED IN THIS DOCUMENT IS PROPRIETARY TO TROMPETER ELECTRONICS INC. AND SHALL NOT BE DISCLOSED, COPIED OR USED FOR PROCUREMENT OR MANUFACTURE WITHOUT EXPRESS WRITTEN PERMISSION.

REVISIONS			1-0469		SH 2
REV	ECO	DESCRIPTION	DWN	APPROVED	DATE



1		DIELECTRIC (MALE)	8-1724	8
1		DIELECTRIC (FEMALE)	8-1723	7
1		CONTACT	8-1725	6
	1	DIELECTRIC (MALE)	8-1717	5
	1	DIELECTRIC (FEMALE)	8-1716	4
	1	CONTACT	8-1715	3
1	1	JACK BODY	8-1718	2
1	1	BODY	8-1719	1
-2	-1	DESCRIPTION	PART NUMBER	ITEM

TOL UNLESS SPECIFIED  
 .XX ±  
 .XXX ±  
 .XXXX±  
 ANGLES±

**TROMPETER  
ELECTRONICS, INC.**

U/AD28

	DWN	DKC	10-20-99	MATERIAL	CODE IDENT	DRAWING NO.	REV
	CHK	<i>[Signature]</i>	11-12-99	—	14949	1-0469	A
	ENGR	<i>[Signature]</i>					
NEXT ASSY	APPR	<i>[Signature]</i>	11-12-99	SCALE 4/1	DATE 1-23-81	SHEET 2	