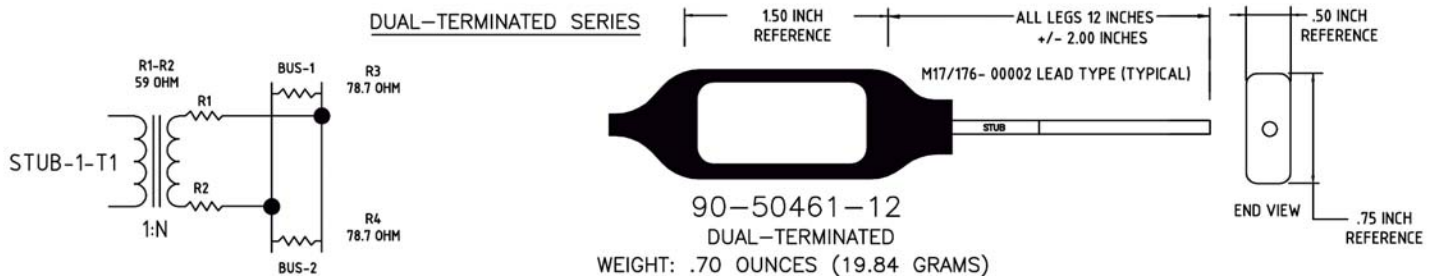
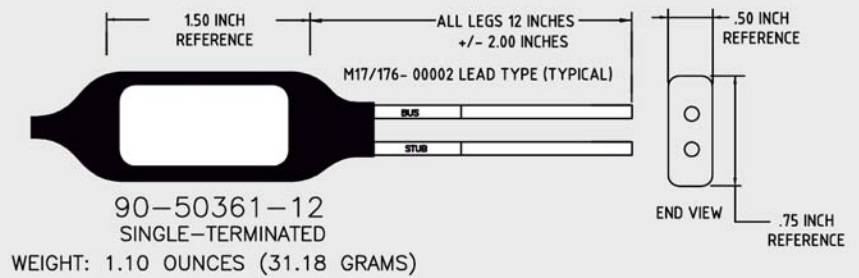
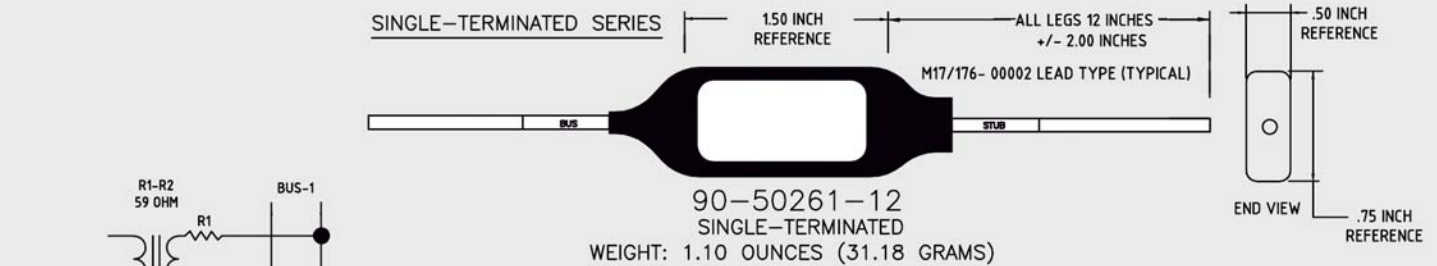
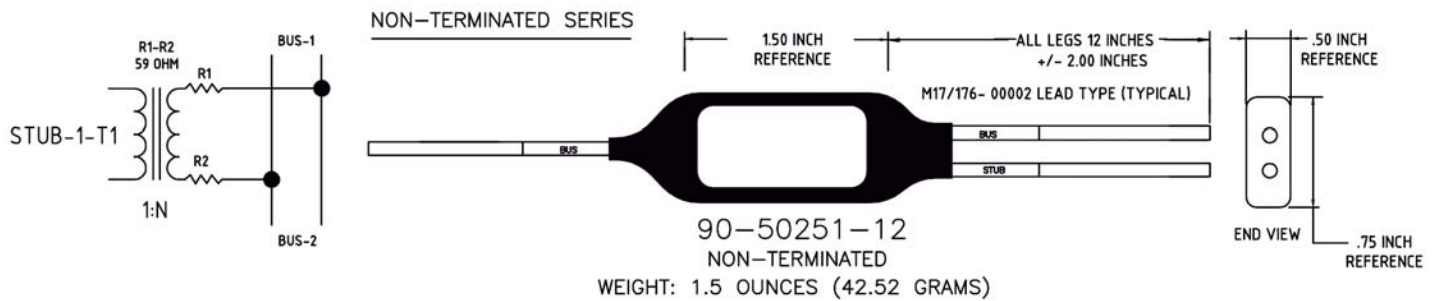


1-STUB INLINE BUS COUPLER



1.0 ELECTRICAL SPECIFICATIONS: IAW MIL-STD-1553B

- | | |
|---------------------------|---------------------------------------|
| 1.1 DROOP | 20% MAXIMUM |
| 1.2 OVERSHOOT AND RINGING | +/- 1.0V PK-PK |
| 1.3 TRANSFORMER RATIO | 1.41:1 TURNS |
| 1.4 FAULT PROTECTION | 59 ohm +/- 1%, 2WATT PER MIL-R-39007 |
| 1.4 TERMINATING RESISTOR | 78.7ohm +/- 1%, 2WATT PER MIL-R-39007 |
| 1.5 COMMON MODE REJECTION | -55 dB @ 1 MHz |
| 1.6 NOMINAL UNIT WEIGHT | AS NOTED ABOVE |

2.0 MECHANICAL SPECIFICATIONS:

- 2.1 HOUSING: 1100 SERIES ALUMINUM ALLOY. CLEAR ANODIZED.
- 2.2 ENCAPSULATING COMPOUND: EPOXY DP-100
- 2.3 STUBS BLUNT UNLESS OTHERWISE SPECIFIED

3.0 ENVIRONMENTAL:

- 3.1 OPERATING TEMPERATURE -55 C TO + 125 C

4.0 OPTIONS:

- 4.1 CUSTOM CABLE LENGTHS ARE AVAILABLE

Milestek®

MILESTEK CORPORATION
1506 INTERSTATE 35 WEST
DENTON, TX 76207
PHONE: 866.524.1553
FAX: 940.591.7086

PLEASE VISIT www.milestek1553.com FOR ADDITIONAL INFORMATION

DRAWN BY: MIKE GREENHILL	APPROVED BY: ROBERT PEREZ	DATE 08/07/09
TITLE: 1 STUB COUPLERS	CAGE CODE: 4Z977	
DRAWING NO: 905112	ISO 9001: 2008 CERTIFIED	REV: A
SCALE: NOT TO SCALE	TOLERANCE: <.1+/1 .01/>.1+/- .1	SHEET: 1 OF 1