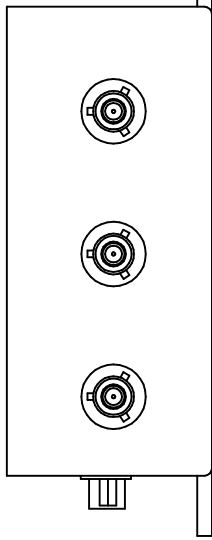
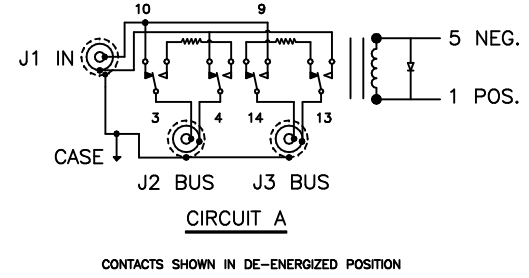
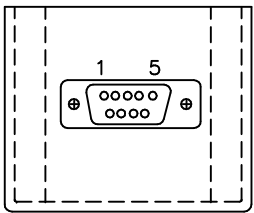
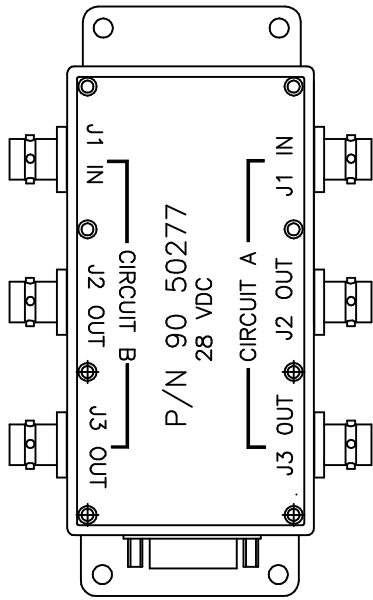
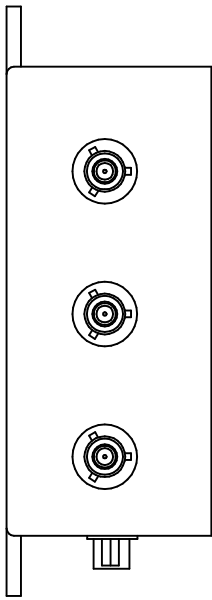
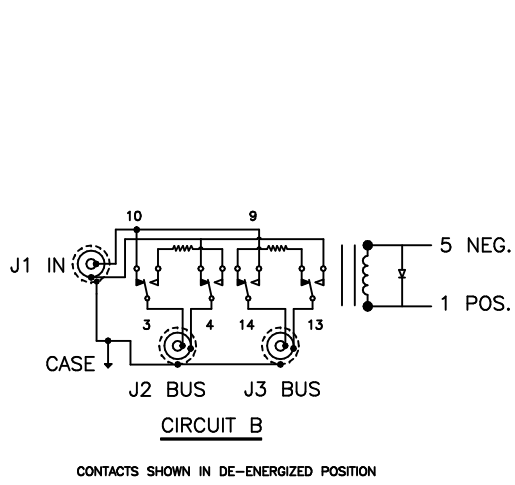


REVISION			
REV	DESCRIPTION	DATE	APPROVED
A	OUTLINE DRAWING	03/28/08	



PROPRIETARY NOTICE

This document discloses confidential subject matter in which MilesTek Corporation and its subsidiaries have proprietary rights. Neither receipt nor possession thereof confers or transfers any right to reproduce or disclose the document, any part thereof, any information contained therein, or any physical article or device, or to practice any method or process, except by written permission from, or written agreement with MilesTek Corporation and its subsidiaries.

ISO 9001-2000 CERTIFIED		CAD SYSTEM DRAWING - DO NOT REVISE MANUALLY	
UNLESS OTHERWISE SPECIFIED ALL DIMENSIONS ARE IN INCHES		SIGNATURE	DATE
1 DECIMALS—X—.1/1		DRAWN BY: M. GREENHILL	03/28/08
2 DECIMALS—.00—1/10		CHECKED BY:	
3 DECIMALS—.000—1/101		APPROVED ENGINEERING:	
4 ANGLES—N/A		APPROVED MANUFACTURING:	
CUSTOMER CONTACT:		CUSTOMER APPROVAL	
		N/A	
DASH	NEXT ASSY	USED ON	CUSTOMER REFERENCE DOCUMENT:
			CAGE CODE: 42977
APPLICATION		TITLE	
		BUS DUAL SWITCHING RELAY OUTLINE DRAWING	
		SIZE	DRAWING NUMBER:
		D	90 50277
		SCALE: NTS	DO NOT SCALE DRAWING
		SHEET 1 OF 1	