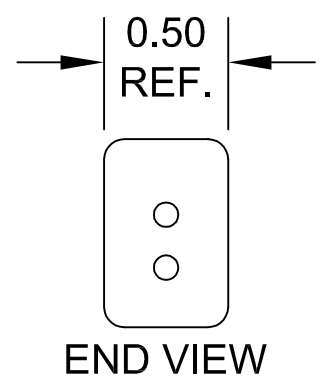
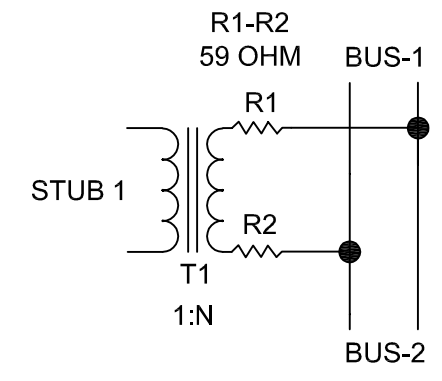
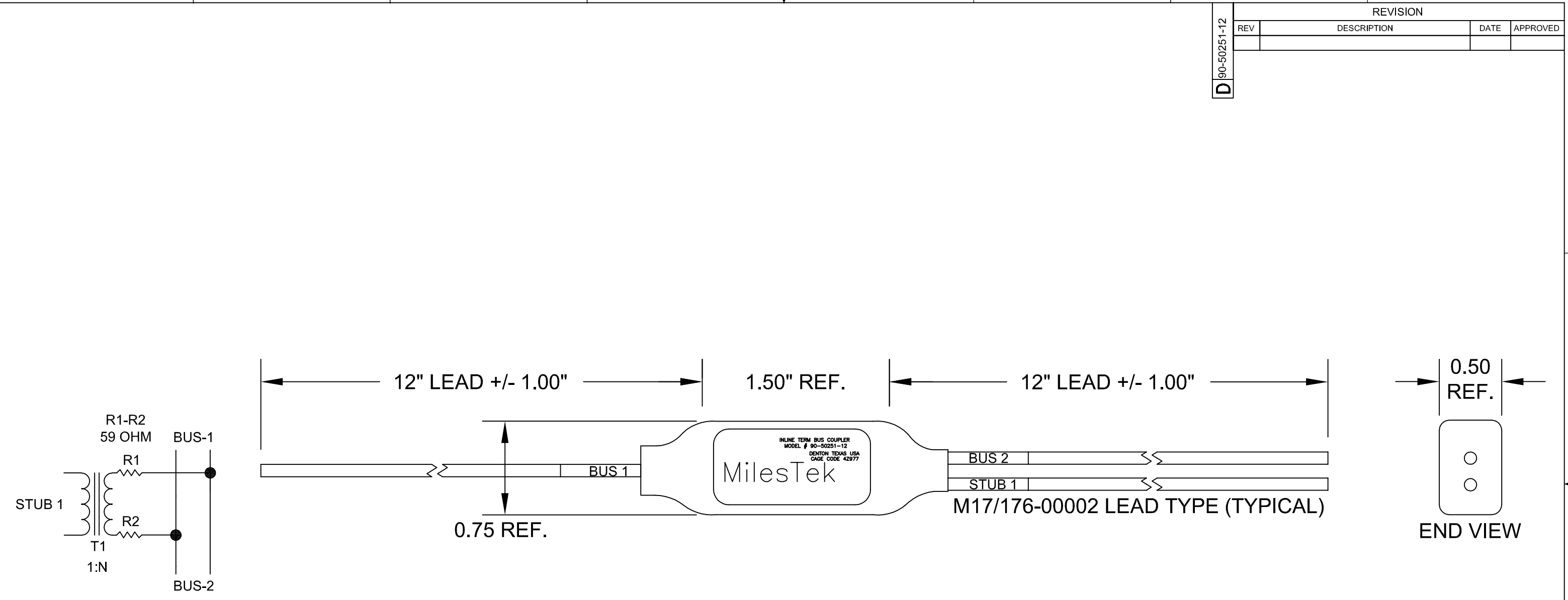


REVISION			
REV	DESCRIPTION	DATE	APPROVED

D 90-50251-12



PROPRIETARY NOTICE
 This document discloses confidential subject matter in which MilesTek Corporation and its subsidiaries have proprietary rights. Neither receipt nor possession thereof confers or transfers any right to reproduce or disclose the document, any part thereof, any information contained therein, or any physical article or device, or to practice any method or process, except by written permission from, or written agreement with MilesTek Corporation and its subsidiaries.

AS9100 CERTIFIED			CAD SYSTEM DRAWING - DO NOT REVISE MANUALLY			
UNLESS OTHERWISE SPECIFIED ALL DIMENSIONS ARE IN INCHES <small>DECIMALS--X-- ± N/A DECIMALS--XX-- ±2.00 DECIMALS--XXX-- ±N/A ANGLES----- ±1N/A</small>			SIGNATURE		DATE	
			DRAWN BY: D. JOHNSON		03/14/13	
CUSTOMER CONTACT:			CHECKED BY:			TITLE 1 STUB INLINE NON-TERMINATED BUS COUPLER
			APPROVED ENGINEERING:			
APPLICATION			APPROVED MANUFACTURING:			SIZE D
			CUSTOMER REFERENCE DOCUMENT:			
DASH NEXT ASSY USED ON			CAGE CODE: 4Z977		DRAWING NUMBER: 90-50251-12	
			SCALE: NTS		DO NOT SCALE DRAWING SHEET 1 OF 1	

MILESTEK CORPORATION
 1506 INTERSTATE 35 WEST
 DENTON, TX 76207
 PHONE: 866.524.1553
 FAX: 940.591.7086