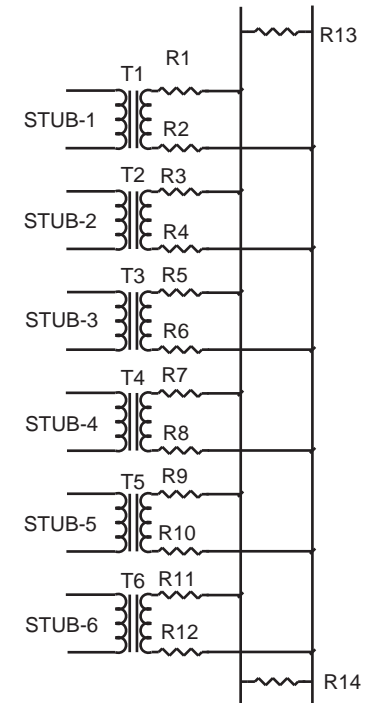
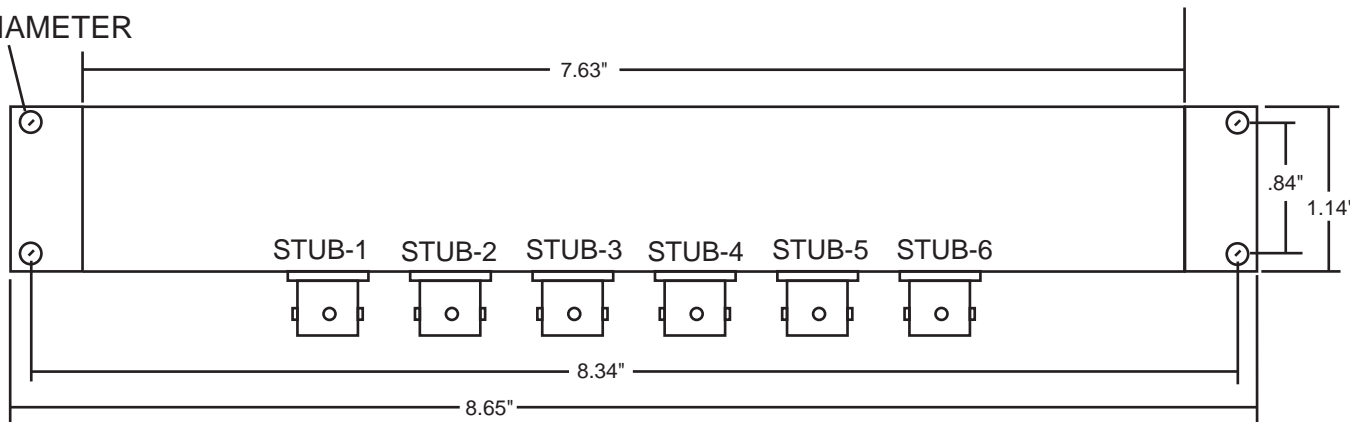


.150" DIAMETER



HOUSING: DIE CAST ALUMINUM, ALLOY A360
 WITH BAKED BLUE ENAMEL FINISH PER
 FED-STD-595, COLOR 25109.
 COVER: ALUMINUM ALLOY 1100-H14 WITH
 CLEAR ALODINE PER MIL-A-8625.
 SHAPE: 1 DEGREE DRAFT PER SIDE.

90-50226	1.41:1	59 ohm, 2W, 1	78.7 ohm, 2W, 1	78.7 ohm, 2W, 1
90-50556	1:1	59 ohm, 2W, 1	78.7 ohm, 2W, 1	78.7 ohm, 2W, 1
90-50656	1:1	54.9 ohm, 2W, 1	78.7 ohm, 2W, 1	78.7 ohm, 2W, 1
MILESTEK PART NO	XFMR RATIO T1-T6	RESISTOR VALUE R1-R12	RESISTOR VALUE R13	RESISTOR VALUE R14

3-LUG TRB MILESTEK 10-06593 OR EQUIV	3-LUG TRB PLUG MILESTEK 10-06030-XXX OR EQUIV
BUS & STUB CONNECTOR	MATING CONNECTOR

Milestek®
 1506 I-35 W
 DENTON TX 76207 USA
 1-800-958-5173
 940-484-9400
 www.milestek.com
 militarysales@milestek.com

DRAWN BY: CHRIS RIEMER		DATE:
APPROVED BY: MARK HEARN		9/11/2012
TITLE: 6 STUB BUS COUPLER - NO BUS JACKS		
CAGE CODE: 4Z977	DWG NO:	REV: 1
SCALE: NOT TO SCALE	SHEET: 1 OF 1	