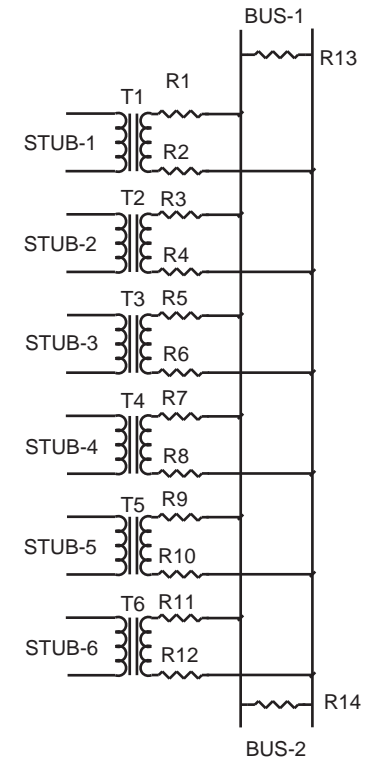
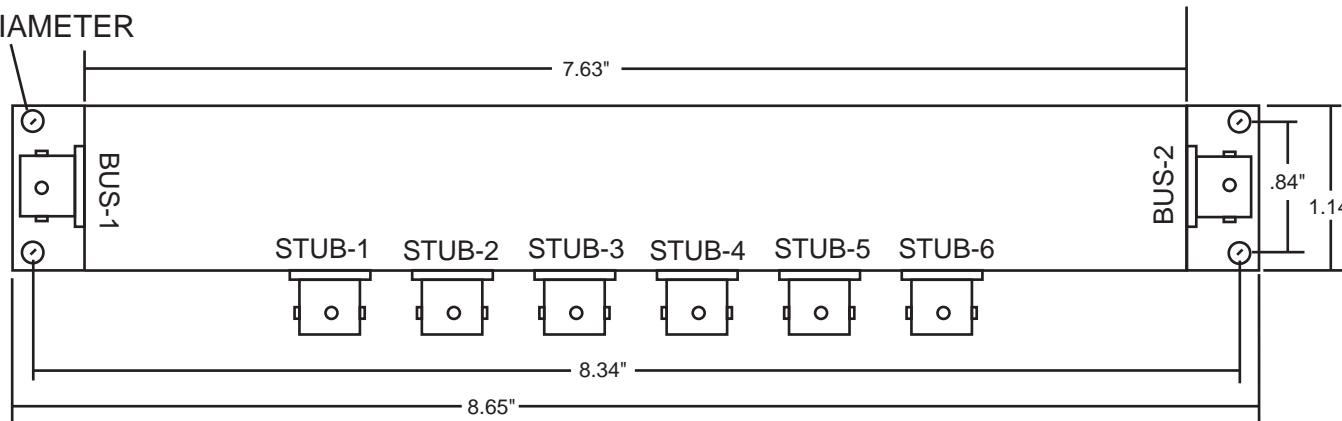



.150" DIAMETER



HOUSING: DIE CAST ALUMINUM, ALLOY A360  
 WITH BAKED BLUE ENAMEL FINISH PER  
 FED-STD-595, COLOR 25109.  
 COVER: ALUMINUM ALLOY 1100-H14 WITH  
 CLEAR ALODINE PER MIL-A-8625.  
 SHAPE: 1 DEGREE DRAFT PER SIDE.

90-50206	1.41:1	59 ohm, 2W, 1	————	————	3-LUG TRB MILESTEK 10-06593 OR EQUIV	3-LUG TRB PLUG MILESTEK 10-06030-XXX OR EQUIV	 1506 I-35 W DENTON TX 76207 USA 1-800-958-5173 940-484-9400 www.milestek.com militarysales@milestek.com	DRAWN BY: CHRIS RIEMER	DATE:	
90-50216	1.41:1	59 ohm, 2W, 1	78.7 ohm, 2W, 1	————				APPROVED BY: MARK HEARN	9/11/2012	
90-50536	1:1	59 ohm, 2W, 1	————	————				TITLE: 6 STUB BUS COUPLER		
90-50546	1:1	59 ohm, 2W, 1	78.7 ohm, 2W, 1	————				CAGE CODE:	DWG NO:	REV:
90-50636	1:1	54.9 ohm, 2W, 1	————	————				4Z977		1
90-50646	1:1	54.9 ohm, 2W, 1	78.7 ohm, 2W, 1	————				SCALE:	SHEET:	
MILESTEK PART NO	XFMR RATIO T1-T6	RESISTOR VALUE R1-R12	RESISTOR VALUE R13	RESISTOR VALUE R14	BUS & STUB CONNECTOR	MATING CONNECTOR	NOT TO SCALE	1 OF 1		