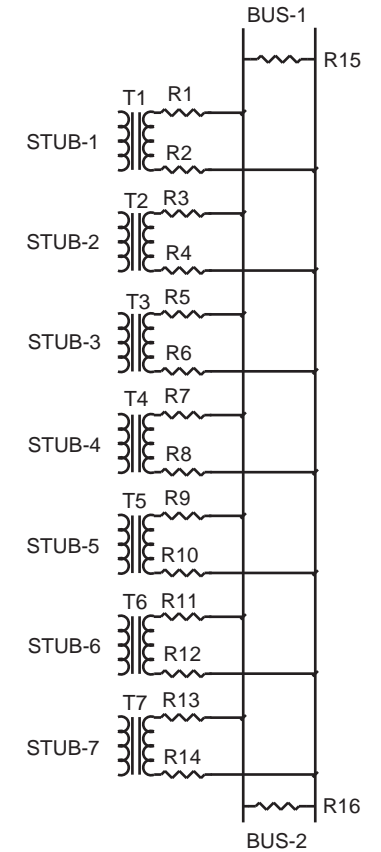
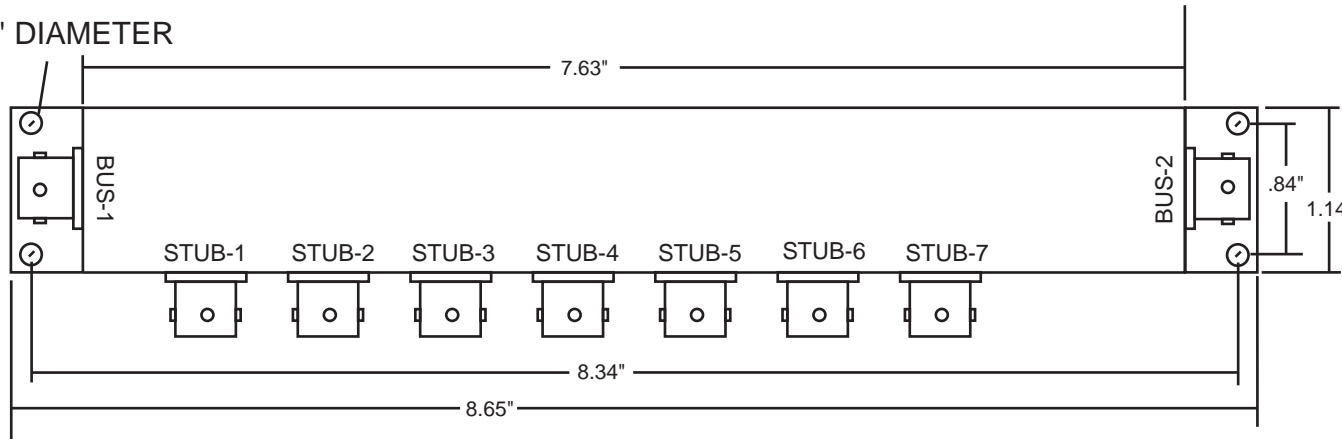


.150" DIAMETER



HOUSING: DIE CAST ALUMINUM, ALLOY A360
 WITH BAKED BLUE ENAMEL FINISH PER
 FED-STD-595, COLOR 25109.
 COVER: ALUMINUM ALLOY 1100-H14 WITH
 CLEAR ALODINE PER MIL-A-8625.
 SHAPE: 1 DEGREE DRAFT PER SIDE.

90-50207	1.41:1	59 ohm, 2W, 1	—	—	3-LUG TRB MILESTEK 10-06593 OR EQUIV	3-LUG TRB PLUG MILESTEK 10-06030-XXX OR EQUIV	1506 I-35 W DENTON TX 76207 USA 1-800-958-5173 940-484-9400 www.milestek.com militarysales@milestek.com	DRAWN BY: CHRIS RIEMER	DATE:		
90-50217	1.41:1	59 ohm, 2W, 1	78.7 ohm, 2W, 1	—				APPROVED BY: MARK HEARN	9/11/2012		
90-50537	1:1	59 ohm, 2W, 1	—	—				TITLE: 7 STUB BUS COUPLER			
90-50547	1:1	59 ohm, 2W, 1	78.7 ohm, 2W, 1	—				CAGE CODE:	DWG NO:	REV:	
90-50637	1:1	54.9 ohm, 2W, 1	—	—				4Z977		1	
90-50647	1:1	54.9 ohm, 2W, 1	78.7 ohm, 2W, 1	—				SCALE:	SHEET:		
MILESTEK PART NO	XFMR RATIO T1-T7	RESISTOR VALUE R1-R14	RESISTOR VALUE R15	RESISTOR VALUE R16	BUS & STUB CONNECTOR	MATING CONNECTOR	NOT TO SCALE	1 OF 1			