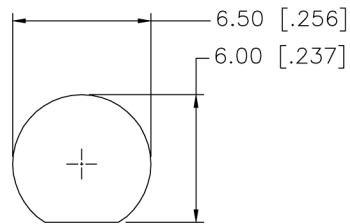
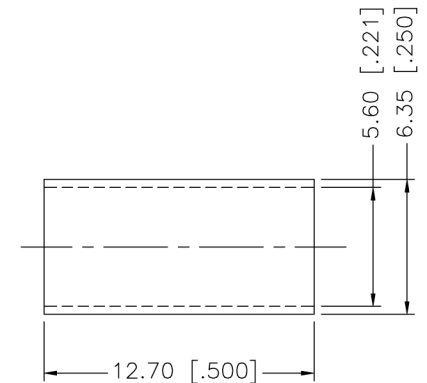


RECOMMENDED CABLE STRIPPING DIMS.



RECOMMENDED MOUNTING HOLE



8			
7			
6			
5			
4			
3	INSULATOR	TEFLON	NATURAL
2	CONTACT PIN	BER. COPPER	GOLD
1	BODY	BRASS	GOLD
	DESCRIPTION	MATERIAL	FINISH

UNLESS OTHERWISE SPECIFIED TOLERANCES FOR MILLIMETERS ARE: 0.5 - 8mm ± 0.20mm 8 - 30mm ± 0.40mm 30 - 120mm ± 0.50mm
UNLESS OTHERWISE SPECIFIED TOLERANCES FOR INCHES ARE: .020 - .315 = ± 0.007" .315 - 1.180 = ± 0.015" 1.180 - 4.724 = ± 0.020"
DRAWING NUMBER: 11-SMA504.PDF

SIGNATURE	DATE
DRAWN BY: M. GREENHILL	10/01/2010
CHECKED BY:	
APPROVED ENGINEERING:	
APPROVED MANUFACTURING:	
CAGE CODE: 4Z977	

<b>MilesTek</b>		MILESTEK CORPORATION 1506 INTERSTATE 35 WEST DENTON, TX 76207 PHONE: 866.524.1553 FAX: 940.591.7086	
PART DISCIPTION: SMA F BULKHEAD CRIMP RG55, RG142, RG223 & RG400			
SIZE <b>D</b>	PART NUMBER: <b>11-SMA504</b>		
REV.-A	DO NOT SCALE DRAWING	SHEET 1 OF 1	