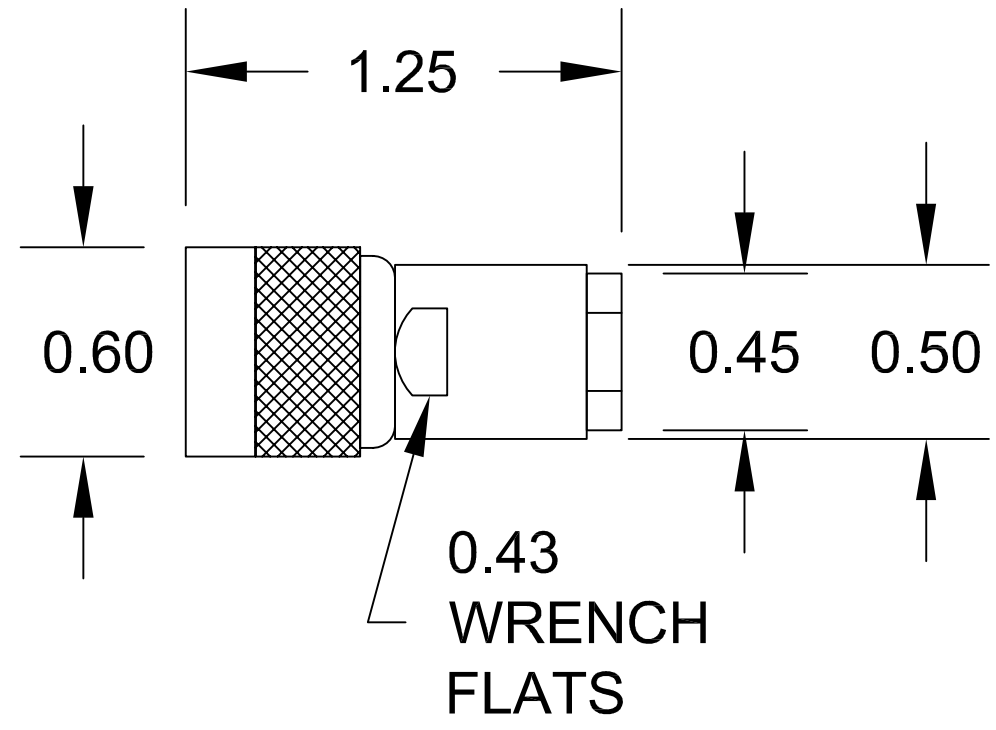
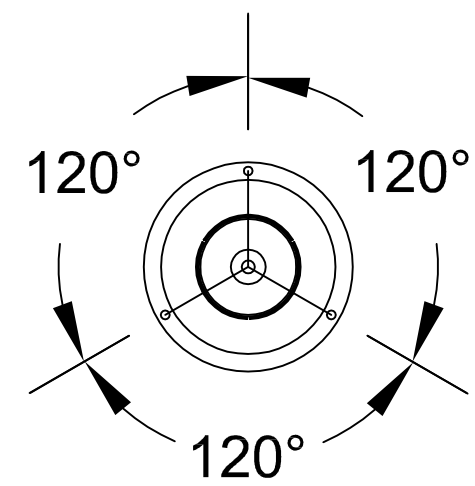


D 10-09030-XXX

REVISION			
REV	DESCRIPTION	DATE	APPROVED
A	OUTLINE DRAWING	04/02/13	

PART NUMBER	CABLE
10-09030-210	30-02001, TWC-78-2, 9272
10-09030-231	30-02003, TWC-78-1
10-09030-206	M17/176-00002
10-09030-242	30-02002, TWAC-78-1F2



PROPRIETARY NOTICE

This document discloses confidential subject matter in which MilesTek Corporation and its subsidiaries have proprietary rights. Neither receipt nor possession thereof confers or transfers any right to reproduce or disclose the document, any part thereof, any information contained therein, or any physical article or device, or to practice any method or process, except by written permission from, or written agreement with MilesTek Corporation and its subsidiaries.

AS9100 CERTIFIED		CAD SYSTEM DRAWING - DO NOT REVISE MANUALLY			
UNLESS OTHERWISE SPECIFIED ALL DIMENSIONS ARE IN INCHES DECIMALS--X-- ± N/A DECIMALS--XX-- ±2.00 DECIMALS--XXX-- ±N/A ANGLES----- ±1N/A		SIGNATURE	DATE	MilesTek	MILESTEK CORPORATION 1506 INTERSTATE 35 WEST DENTON, TX 76207 PHONE: 866.524.1553 FAX: 940.591.7086
		DRAWN BY: D.JOHNSON	04/02/13		
CUSTOMER CONTACT:		CHECKED BY:		TITLE	
		APPROVED ENGINEERING:		TWINAXIAL TRB THREADED CABLE PLUG DRAWING	
APPLICATION		APPROVED MANUFACTURING:		SIZE	DRAWING NUMBER:
		CUSTOMER REFERENCE DOCUMENT:		D	10-09030-XXX
		CAGE CODE: 4Z977		SCALE: NTS	DO NOT SCALE DRAWING SHEET 1 OF 1