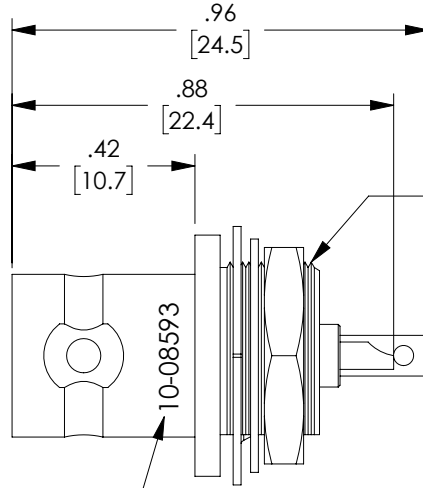


PROPRIETARY NOTICE

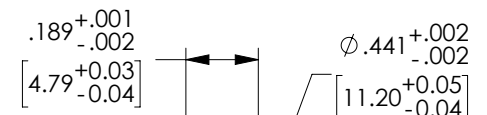
This document discloses confidential subject matter in which MilesTek Corporation and its subsidiaries have proprietary rights. Neither receipt nor possession thereof confers or transfers any right to reproduce or disclose the document, any part thereof, any information contained therein, or any physical article or device, or to practice any method or process, except by written permission from, or written agreement with MilesTek Corporation and its subsidiaries.

REVISIONS			
REV	DESCRIPTION	DATE	APPROVED
A	REV A DRAWING RELEASED	05/13/2019	MHEARN

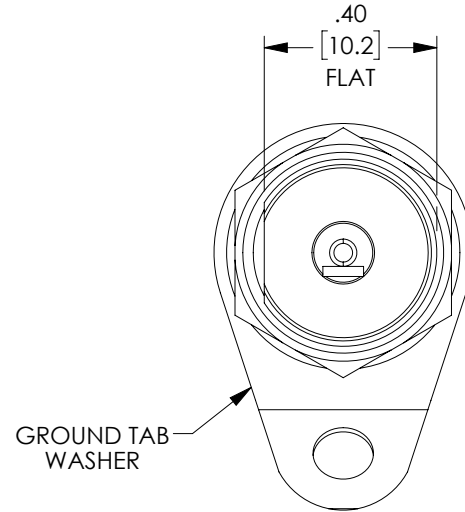
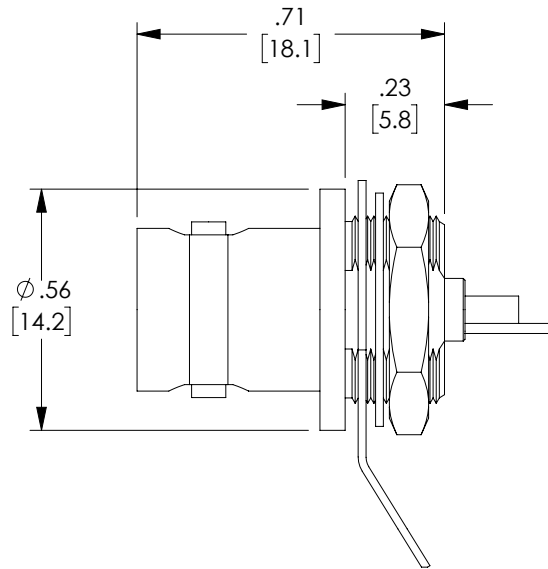
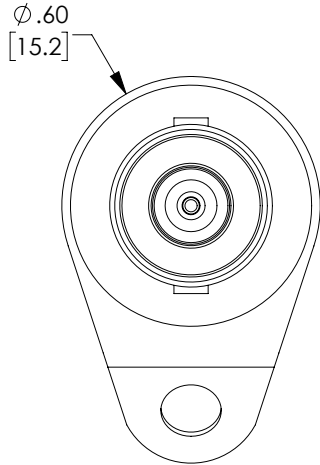
DESCRIPTION	MATERIAL	FINISH
BODY	BRASS	NICKEL
CONTACT PIN	BERYLLIUM COPPER	GOLD
CONTACT BODY	BRASS	GOLD
TAG	BRASS	SILVER
NUT	BRASS	NICKEL
LOCK RING	BRASS	NICKEL
WASHER	BRASS	NICKEL
INSULATOR	PTFE	WHITE



INK MARKING "10-08593 4Z977 XXXXXX"



RECOMMENDED PANEL CUTOUT



NOTES:

1. MAX. PANEL THICKNESS: .062 [1.6mm]
2. ALL DIMENSIONS ARE FOR REFERENCE ONLY.
3. COMPONENT SHALL BE INDIVIDUALLY PACKAGED IN ACCORDANCE WITH MILESTEK SPEC. PS-0054.

REGULATORY COMPLIANCE:

EU RoHS DIRECTIVE (MOST RECENT RELEASED VERSION)

UNLESS OTHERWISE SPECIFIED ALL DIMENSIONS ARE IN INCHES OVERALL CABLE LENGTH TOLERANCE: $\le 12 [305]$ = +1 [25] / -0 $> 12 [305]$ $\le 60 [1524]$ = +2 [51] / -0 $> 60 [1524]$ $\le 120 [3048]$ = +4 [102] / -0 $> 120 [3048]$ $\le 300 [7620]$ = +6 [152] / -0 $> 300 [7620]$ = +5% / -0% ALL OTHER DIMENSIONAL TOLERANCES: X = ± .2 [5.08] XX = ± .02 [5.1] XXX = ± .005 [1.3]	SIGNATURE	DATE	 MILESTEK CORPORATION 301 LEORA LANE, SUITE 100 LEWISVILLE, TX 75056 PHONE: (940) 484-9400 FAX: (940) 566-1047
	DRAWN BY: BPUCHASKI	04/08/2019	
CHECKED BY: DFRISIELLO	05/09/2019	APPROVED BY: MHEARN	04/08/2019
CUSTOMER REFERENCE DOCUMENT:	CONFIGURATION DETAILS OF UNDIMENSIONED FEATURES MAY VARY		SCALE: NTS
CAGE CODE: 4Z977	SIZE A	DRAWING NUMBER: 10-08593	REV. A
		SHEET 1 OF 1	