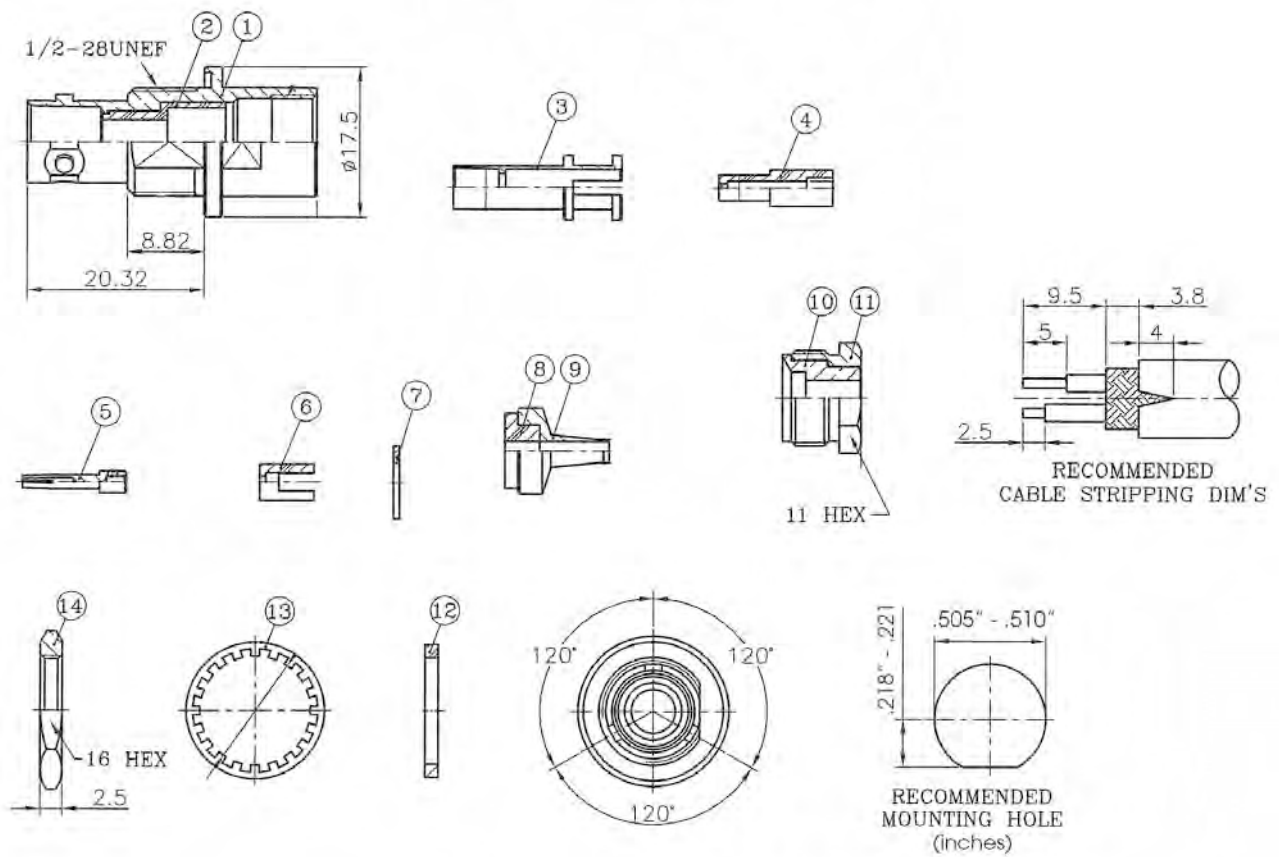


PART NUMBER	CABLE
10-06577-210	30-02001, TWC-78-2, 9272
10-06577-231	30-02003, TWC-78-1
10-06577-206	M17/176-00002
10-06577-240	30-02004, TWC-78-1



1. MAX. PANEL THICKNESS=0.157"

Milestek® MilesTek Corporation
 1506 Interstate 35 West
 Denton, Tx 76207

Telephone: 940.484.9400 • Toll Free: 866.524.1553
 Fax: 940.591.7086 • Web: www.milestek1553.com

PART NUMBER: 10-06577-XXX	CAGE CODE: 4Z977
TITLE: TRB SOLDER/CLAMP NON-ISOLATED BULKHEAD CABLE JACK	
UNIT: mm	DATE: 08/2/2005
REV:	SHEET: 1/1

APPROVED	MARK HEARN
CHECKED	ROBERT PEREZ
ISO 9001: 2000 CERTIFIED	

UNLESS OTHERWISE SPECIFIED TOLERANCES:
 0.5-5 = ±0.2
 5-30 = ±0.4
 30-120 = ±0.6
 120-315 = ±1

NO	DESCRIPTION	MATERIAL
1	BODY	BRASS/NICKEL PLATE
2	INSULATOR	TEFLON
3	CONTACT BODY	BRASS/GOLD PLATE
4	INSULATOR	TEFLON
5	CONTACT PIN	BERYLLIUM COPPER/GOLD PLATE 30 μ"
6	INSULATOR	PE
7	WASHER	PVC
8	INSULATOR	TEFLON
9	BRAID HOLDER	BRASS/NICKEL PLATE
10	BRAID HOLDER	BRASS/NICKEL PLATE
11	NUT	BRASS/NICKEL PLATE
12	GASKET	RUBBER/ORANGE
13	WASHER	SS41/NICKEL PLATE
14	NUT	BRASS/NICKEL PLATE