

8

7

6

5

4

3

2

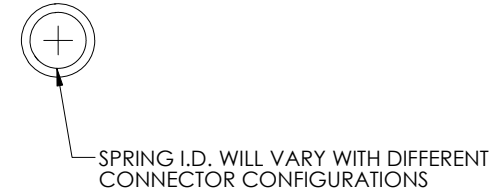
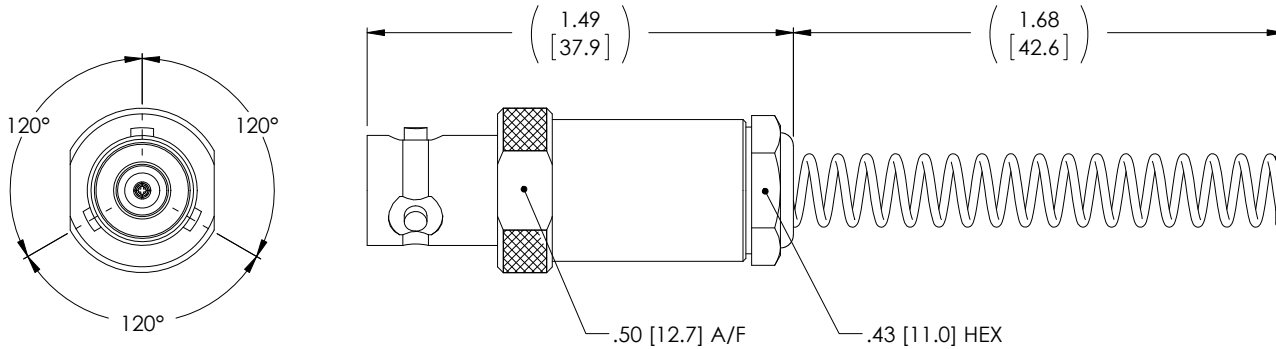
1

PROPRIETARY NOTICE

This document discloses confidential subject matter in which MilesTek Corporation and its subsidiaries have proprietary rights. Neither receipt nor possession thereof confers or transfers any right to reproduce or disclose the document, any part thereof, any information contained therein, or any physical article or device, or to practice any method or process, except by written permission from, or written agreement with MilesTek Corporation and its subsidiaries.

REV	DESCRIPTION	DATE	APPROVED
A	INITIAL RELEASE	9/30/16	D.GRIFFIN

10-06570-XXX
A



PART NUMBER	COMPATIBLE TWINAX CABLE
10-06570-206	M17/176-00002
10-06570-210	30-02001, TWC-78-2, TWC-124-2
10-06570-231	30-02003, TWC-78-1, TWC-124-1A
10-06570-242	30-02002, TWAC-78-1F2

DESCRIPTION	MATERIAL	FINISH
BODY (OVERALL)	BRASS PER QQ-B-626	NICKEL PL 100~300µ" OVER COPPER PL 80~150µ"
BODY INSULATOR	PTFE	WHITE
CYLINDRICAL CONTACT	BRASS PER QQ-B-626	GOLD PL 3~10µ" OVER NICKEL PL 100~300µ" OVER COPPER PL 80~150µ"
INSULATOR	PTFE	WHITE
CENTER CONTACT	BERYLLIUM COPPER PER QQ-C-530	GOLD PL 30~40µ" OVER NICKEL PL 100~300µ" OVER COPPER PL 80~150µ"
WASHER	PVC	RED
BRAID HOLDER	BRASS PER QQ-B-626	NICKEL PL 100~300µ" OVER COPPER PL 80~150µ"
SPRING BACK NUT	BRASS PER QQ-B-626	NICKEL PL 100~300µ" OVER COPPER PL 80~150µ"

NON CONTROLLED DRAWING IF PRINTED

AS9100C CERTIFIED		CAD SYSTEM DRAWING - DO NOT REVISE MANUALLY	
UNLESS OTHERWISE SPECIFIED ALL DIMENSIONS ARE IN INCHES		SIGNATURE	DATE
OVERALL CABLE LENGTH TOLERANCE: ≤12 [305] = +1 [25] / -0 >12 [305] ≤60 [1524] = +2 [51] / -0 >60 [1524] ≤120 [3048] = +4 [102] / -0 >120 [3048] ≤300 [7620] = +6 [152] / -0 >300 [7620] = +5% / -0%		D. DESJARDIN	9/27/16
ALL OTHER DIMENSIONAL TOLERANCES: .X = ±.2 [5.08] .XX = ±.02 [5.1] .XXX = ±.005 [1.3]		M. GREENHILL	9/27/16
CUSTOMER REFERENCE DOCUMENT:		M. GREENHILL	9/27/16
DASH	NEXT ASSY	USED ON	CUSTOMER APPROVAL
APPLICATION		CAGE CODE: 42977	TITLE
SCALE: NTS		SIZE A	TRB JACK 3-LUG W/SPRING RELIEF
DRAWING NUMBER: 10-06570-XXX		MILESTEK CORPORATION 1506 INTERSTATE 35 WEST DENTON, TX 76207 PHONE: 866.524.1553 FAX: 940.591.7086	
SHEET 1 OF 1		DRAWING NUMBER: 10-06570-XXX	

8

7

6

5

4

3

2

1