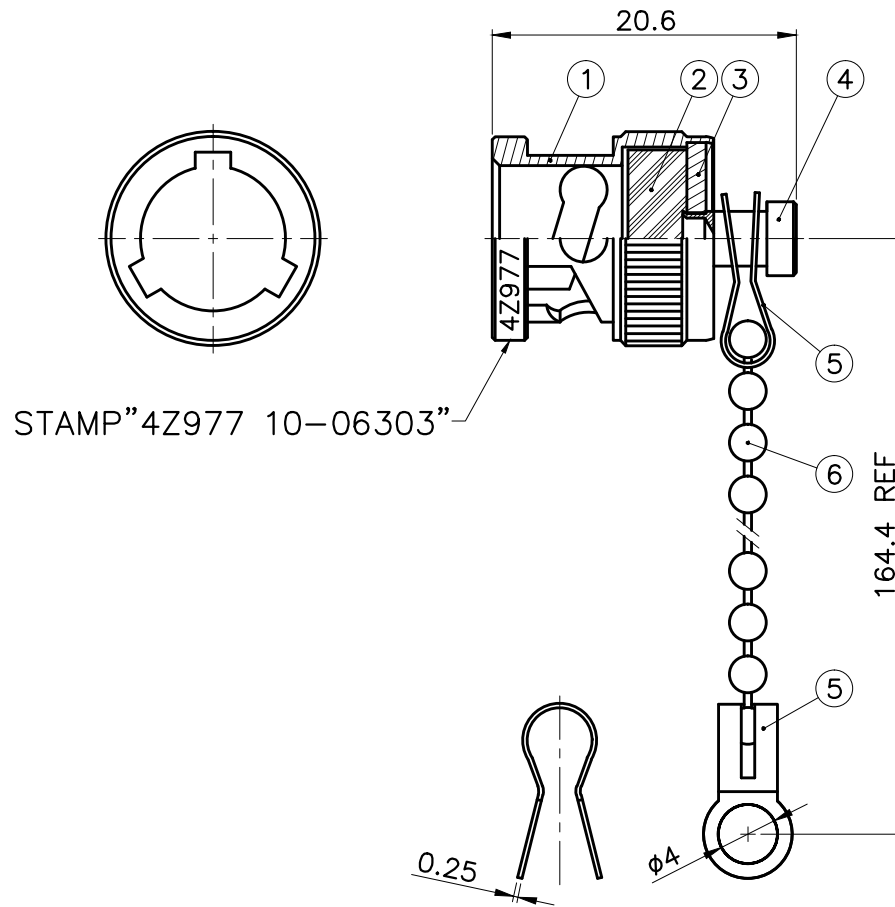


REVISIONS		
ISS	DESCRIPTION	DATE

RoHS COMPLIANT



NOTES: FINISH (PLATING THICKNESS IN MICRO-INCHES)

1. BRASS PER QQ-B-626
2. NICKEL PL 70~200 THICK OVER COPPER PL 60~160 THICK

MilesTek  MilesTek Corporation
 1506 Interstate 35 West
 Denton, Tx 76207
 Telephone: 940.484.9400 . Toll Free: 866.524.1553
 Fax: 940.591.7086 . Web: www.milestek.com

APRD: MARK HEARN	UNLESS OTHERWISE SPECIFIED TOLERANCES 0.5-6 = ±0.2 >6-30 = ±0.4 >30-120 = ±0.6 >120-315 = ±1 >315-1000 = ±1.6 ANGLES = ±5°				
CHKD: ROBERT PEREZ		6 CHAIN	NOTE 1	NOTE 2	
DR:		5 TAG	STAINLESS STEEL	PASSIVATED	
TITLE: TRB MALE CAP WITH CHAIN (6")		4 RIVET	NOTE 1	NOTE 2	
		3 WASHER	NOTE 1	NOTE 2	
		2 GASKET	SILICONE	RED	
		1 SHELL	NOTE 1	NOTE 2	
PART NO: 10-06303	CAGE CODE: 4Z977	DATE: 04/05/12"	UNIT: mm		
DRAWING NO: 67100-A2	SHEET: .	SCALE: 2/1	NO. DESCRIPTION	MATERIAL	FINISH

AS9100 certified