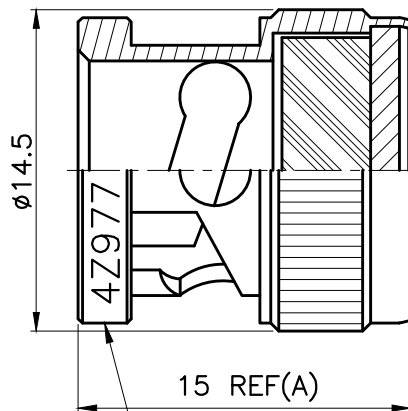
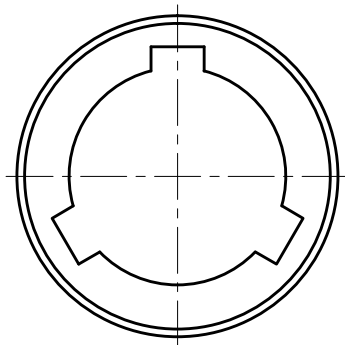


REVISIONS	
ISS	DESCRIPTION\DATE
A1	修訂電鍍厚度說明\08/27/12"

RoHS COMPLIANT



STAMP"4Z977 10-06300"

NOTES: FINISH (PLATING THICKNESS IN MICRO-INCHES)

1. BRASS PER QQ-B-626
2. NICKEL PL 70~200 THICK OVER COPPER PL 60~160 THICK

**MilesTek**  MilesTek Corporation  
1506 Interstate 35 West  
Denton, Tx 76207

Telephone: 940.484.9400 . Toll Free: 866.524.1553  
Fax: 940.591.7086 . Web: www.milestek1553.com

TITLE: TRB MALE CAP

APRD: MARK HEARN

CHKD: ROBERT PEREZ

DR:

UNLESS OTHERWISE  
SPECIFIED TOLERANCES  
0.5-6 = ±0.2  
>6-30 = ±0.4  
>30-120 = ±0.6  
>120-315 = ±1  
>315-1000 = ±1.6  
ANGLES = ±5°

PART NO: 10-06300

CAGE CODE: 4Z977

DATE: 08/27/12"

UNIT: mm

DRAWING NO: 67099-A1

SHEET: .

SCALE: 3/1

NO.	DESCRIPTION	MATERIAL	FINISH
	WASHER	NOTE 1	NOTE 2
	GASKET	SILICONE	RED
	SHELL	NOTE 1	NOTE 2

AS9100 certified