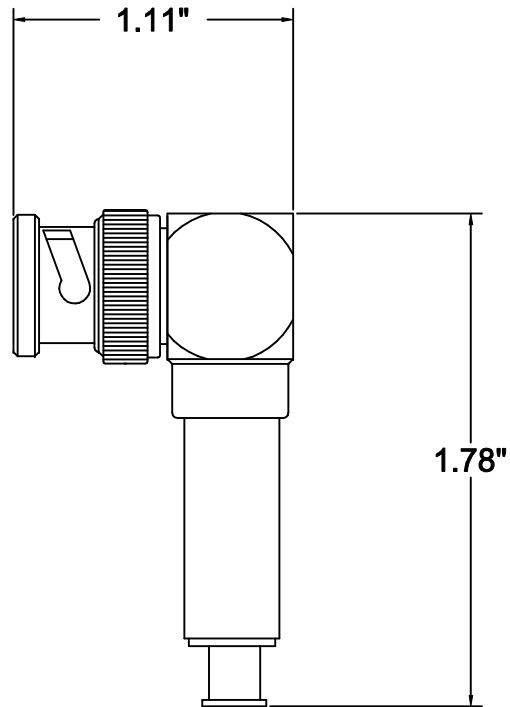
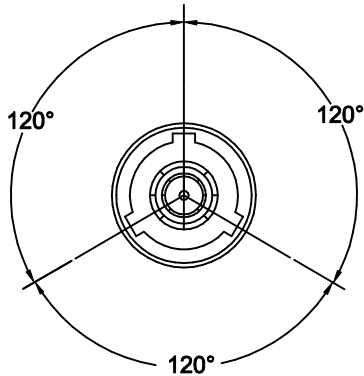


8 7 6 5 4 3 2 1

PART NUMBER	CABLE
10-06032-206	M17/176-00002

D 10-06032-206	REVISION			
	REV	DESCRIPTION	DATE	APPROVED
	A	OUTLINE DRAWING	04/03/12	MG



AS9100C CERTIFIED			CAD SYSTEM DRAWING - DO NOT REVISE MANUALLY		
UNLESS OTHERWISE SPECIFIED ALL DIMENSIONS ARE IN MILLIMETERS NOT TO SCALE			SIGNATURE	DATE	MilesTek <small>MILESTEK CORPORATION 1508 INTERSTATE 38 WEST DENTON, TX 76207 PHONE: 940.524.1553 FAX: 940.591.7068</small>
			DRAWN BY: M. GREENHILL	04 / 03 / 12	
			CHECKED BY:		
			APPROVED ENGINEERING:		
CUSTOMER CONTACT:			APPROVED MANUFACTURING:		TITLE
			CUSTOMER APPROVAL		3-SLOT TRB FULL CRIMP RIGHT ANGLE MALE PLUG
DASH	NEXT ASSY	USED ON	CAGE CODE: 42877	SIZE	DRAWING NUMBER:
APPLICATION				D	10-06032-206
				SCALE: FULL	DO NOT SCALE DRAWING
				SHEET 1 OF 1	

8 7 6 5 4 3 2 1