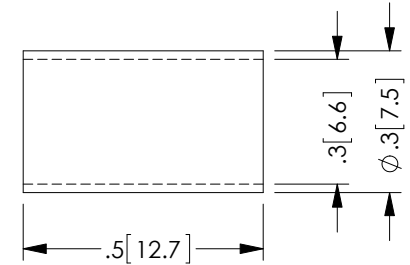
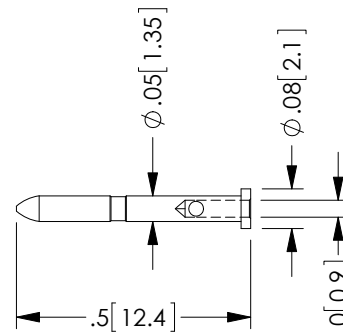
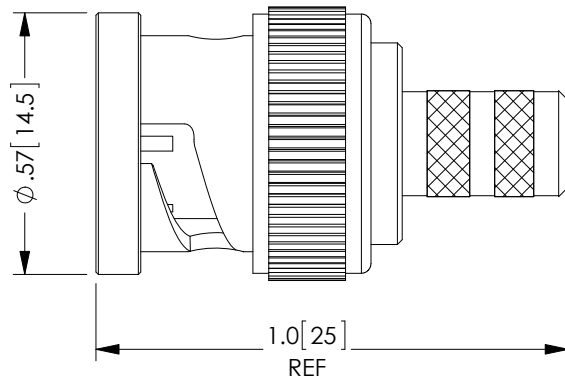
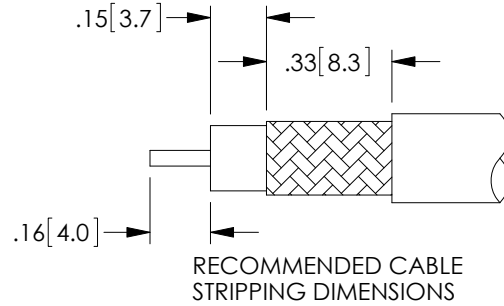


PROPRIETARY NOTICE

This document discloses confidential subject matter in which MilesTek Corporation and its subsidiaries have proprietary rights. Neither receipt nor possession thereof confers or transfers any right to reproduce or disclose the document, any part thereof, any information contained therein, or any physical article or device, or to practice any method or process, except by written permission from, or written agreement with MilesTek Corporation and its subsidiaries.

| REVISIONS |                 |          |             |
|-----------|-----------------|----------|-------------|
| REV       | DESCRIPTION     | DATE     | APPROVED    |
| A         | INITIAL RELEASE | 01/23/17 | D.FRISIELLO |
|           |                 |          |             |
|           |                 |          |             |



NOTES:

**ELECTRICAL SPECIFICATIONS:**

- IMPEDENCE: 75 OHMS
- FREQUENCY RANGE: 0-3 GHz
- WORKING VOLTAGE: 500V RMS
- DIELECTRIC WITHSTAND VOLTAGE: 1500V RMS
- VSWR: 1.05 + 0.1f (GHz) DC DC to 3 GHz
- CONTACT RESISTANCE:  
 CENTER CONDUCTOR: 1.3m OHM  
 OUTER CONDUCTOR: 1.0m OHM
- INSULATION RESISTANCE: 5000M OHM MIN.

CABLE APPLICATIONS: 1505A, 1506A, 734A, 734D

**REGULATORY COMPLIANCE:**  
 CE2011/65/EU(RoHS DIRECTIVE)

**MATERIALS:**

- CONTACT PIN, SLEEVE, BODY: BRASS PER QQ-B-626, ALLOY 360, 1/2H
- SPRING: BERYLLIUM COPPER
- INSULATOR: TEFLON MIL-P-19468

**FINISHES:**

- CONTACT PIN: GOLD 30μ" OVER NICKEL 50μ" OVER COPPER 50μ"
- BODY, SLEEVE & OTHER BRASS PARTS: NICKEL 100μ" OVER COPPER 50μ"

**NON CONTROLLED DRAWING IF PRINTED**

| AS9100C CERTIFIED  |           |         | CAD SYSTEM DRAWING - DO NOT REVISE MANUALLY |              |   |  |
|--|-----------|---------|---|--------------|---|--|
| UNLESS OTHERWISE SPECIFIED ALL DIMENSIONS ARE IN INCHES  |           |         | SIGNATURE                                   | DATE         | MilesTek®   |  |
| OVERALL CABLE LENGTH TOLERANCE:<br>≤12 [305] = +1 [25] / -0<br>>12 [305] ≤60 [1524] = +2 [51] / -0<br>>60 [1524] ≤120 [3048] = +4 [102] / -0<br>>120 [3048] ≤300 [7620] = +6 [152] / -0<br>>300 [7620] = +5% / -0% |           |         | DRAWN BY:<br>B.PUCHASKI                     | 01/23/17     | MILESTEK CORPORATION<br>1506 INTERSTATE 35 WEST<br>DENTON, TX 76207<br>PHONE: 866.524.1553<br>FAX: 940.591.7086 |  |
| ALL OTHER DIMENSIONAL TOLERANCES:<br>.X = ±.2 [5.08]<br>.XX = ±.02 [1.51]<br>.XXX = ±.005 [1.31]   |           |         | CHECKED BY:<br>M.HEARN                      | 01/23/17     | TITLE<br>CONN 75OHM BNC PLUG<br>FOR RG59  |  |
| CUSTOMER REFERENCE DOCUMENT:   |           |         | APPROVED ENGINEERING:<br>M.HEARN            | 1/23/17      | DRAWING NUMBER:<br>10-03001-204   |  |
| DASH   | NEXT ASSY | USED ON | CUSTOMER APPROVAL                           | SCALE: NTS   |   |  |
| APPLICATION  |           |         | CAGE CODE: 42977                            | SHEET 1 OF 1 |   |  |