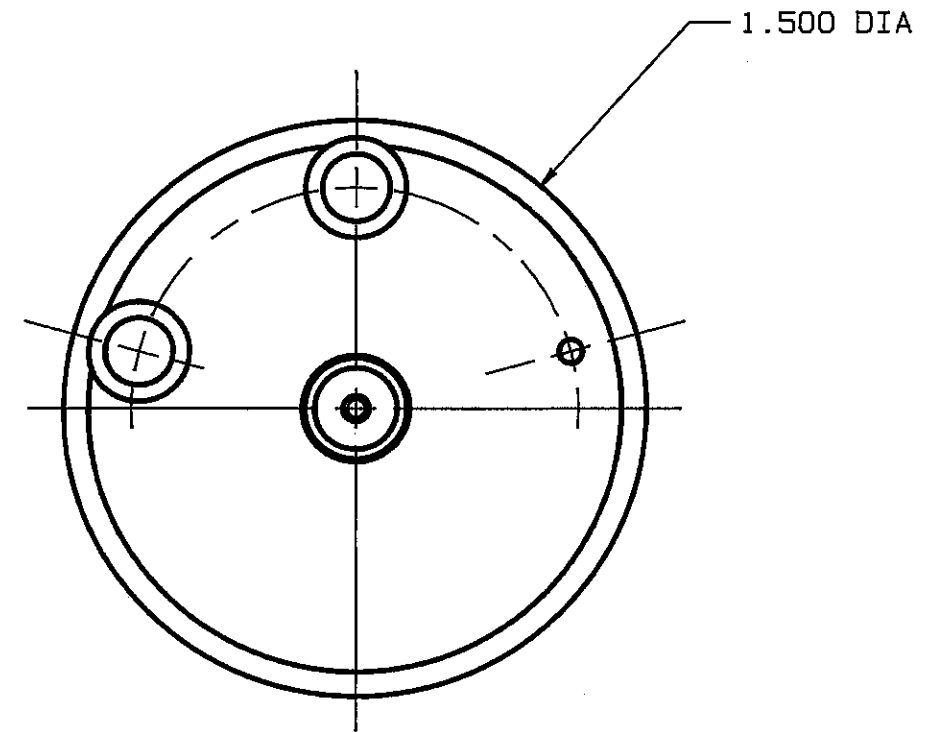
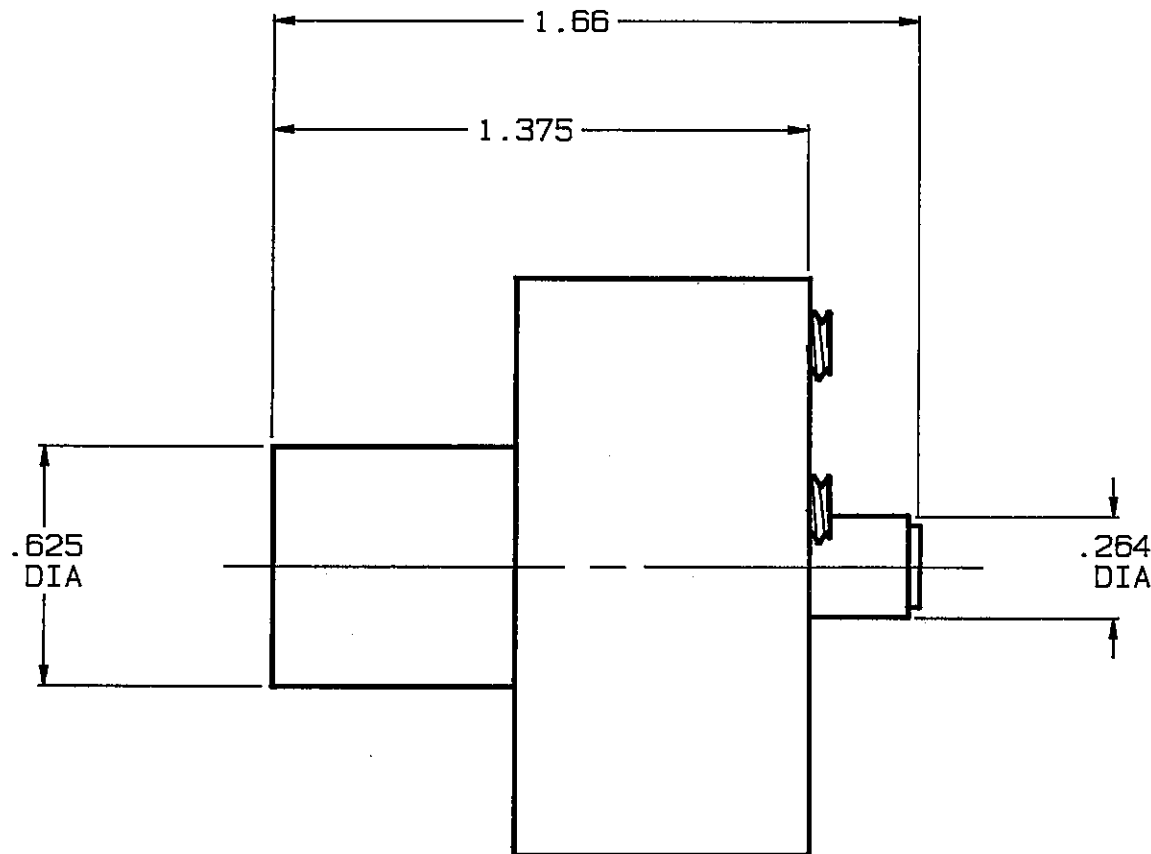


DISK #	DWG SIZE	DATA CONTAINED IN THIS DOCUMENT IS PROPRIETARY TO TROMPETER ELECTRONICS INC. AND SHALL NOT BE DISCLOSED, COPIED OR USED FOR PROCUREMENT OR MANUFACTURE WITHOUT EXPRESS WRITTEN PERMISSION.
B 2	B	

REVISIONS			010-0044		SH 1
REV	EO	DESCRIPTION	DWN	APPROVED	DATE
B	8928	ADDED .062 DIA X .450 DEEP DIM TO -101 AND REDRAWN	J S	<i>E.E., BM</i>	8-8-90



INCH	MM
.005	0.13
.03	0.76
.264	6.70
.625	15.87
1.375	34.92
1.500	38.10
1.66	42.16

2. FINISH: BODY: CLEAR ANODIZE
LOCATOR: PROT. CLEAR COAT

1. ALL DIM ARE IN INCHES

QTY	DESCRIPTION		PART NUMBER	ITEM
TOL UNLESS SPECIFIED		TROMPETER ELECTRONICS, INC.	POSITIONER, PIN CONTACT, 70 SERIES FULL CRIMP, MALE (M22520/1-01)	
.XX ± .03 .XXX ± .005 .XXXX ± ANGLE ±			DRAWING NO.	REV
DWN	J S	8/02/90	14949	010-0044 B
CHK	<i>E.E.</i>	8-7-90	SCALE 2/1	DATE 11/24/86
ENGR	<i>BM</i>	8-7-90	SHEET 1 OF 3	
APPR	<i>JK</i>	8-7-90	NEXT ASSY	