

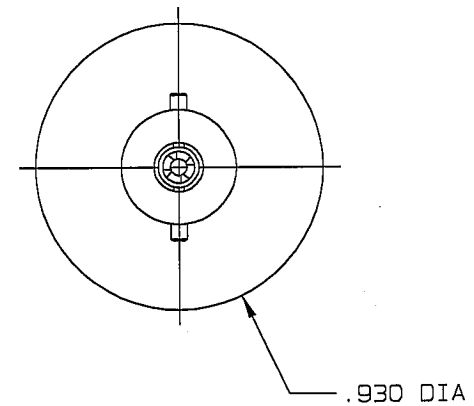
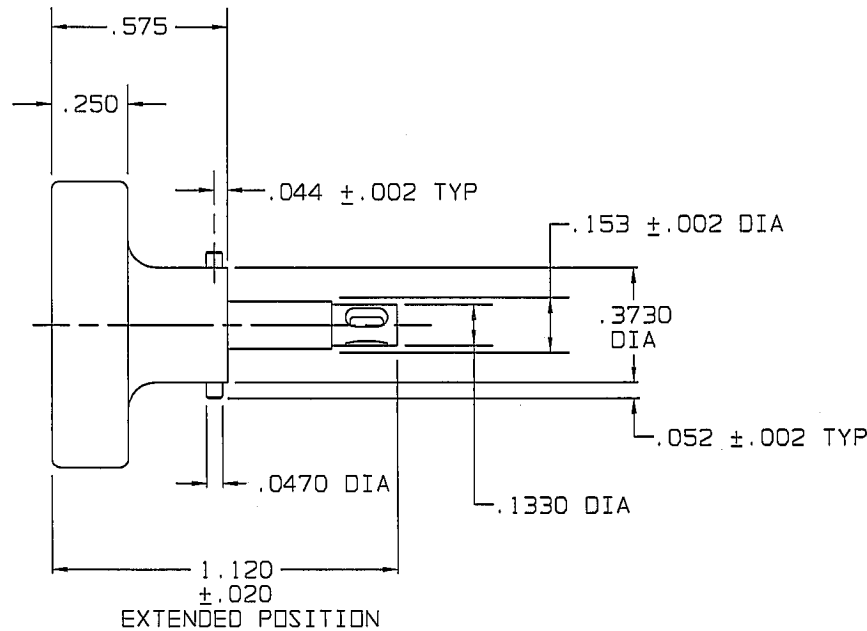
DATA CONTAINED IN THIS DOCUMENT IS PROPRIETARY TO TROMPETER ELECTRONICS INC. AND SHALL NOT BE DISCLOSED, COPIED OR USED FOR PROCUREMENT OR MANUFACTURE WITHOUT EXPRESS WRITTEN PERMISSION OF TROMPETER ELECTRONICS INC.

REVISIONS

010-0041

SH 1

REV	DESCRIPTION	DATE	APPROVED
L	REVISED PER ECO #15664	10-13-04	<i>WJ</i>



RED INDICATES ORIGINAL

2. FINISH: BODY; TFS-1A (NICKEL)  
LOCATOR; PROT. CLEAR COAT  
LOCK PINS; PASSIVATE

1. ALL DIM ARE IN INCHES

INTERPRET DRAWING PER MIL-STD-100 DIMENSIONS ARE IN INCHES AND INCLUDE FINISH THICKNESS UNLESS OTHERWISE SPECIFIED		TOL: UNLESS SPECIFIED .XX .XXX ± .005 .XXXX ± .0010 ANGLES				
DRAWN PD	DATE 10-7-04	MATERIAL:	TITLE: POSITIONER, CONTACTS, 150C, 150AC SM BODY & 450 AC SERIES			
CHECKED <i>T.Sha</i>	DATE 10-7-04	FINISH:	SIZE	CAGE CODE	DRAWING NO.	REV.
DUALITY <i>R/S</i>	DATE 10/13/04		A	14949	010-0041	L
HANDL <i>BP</i>	DATE 10/13	DD NOT SCALE DWG	SCALE	2/1	DATE:	9-14-84
APPROVED <i>WJ</i>	DATE 10/11/04				SHEET	1 OF 3
NEXT ASSY		CAO FILE NO. 010-0041L				