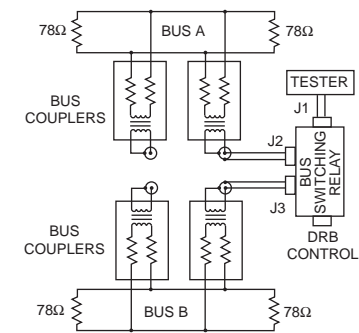
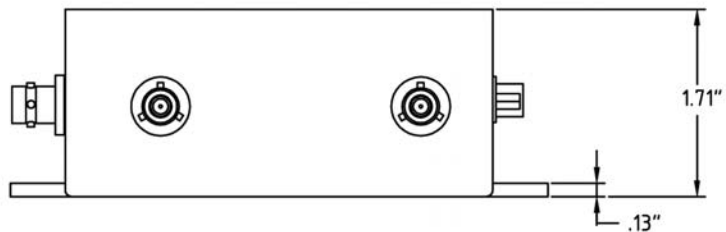
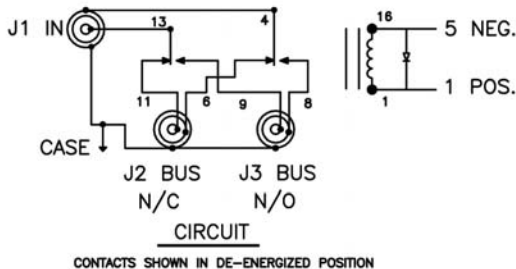
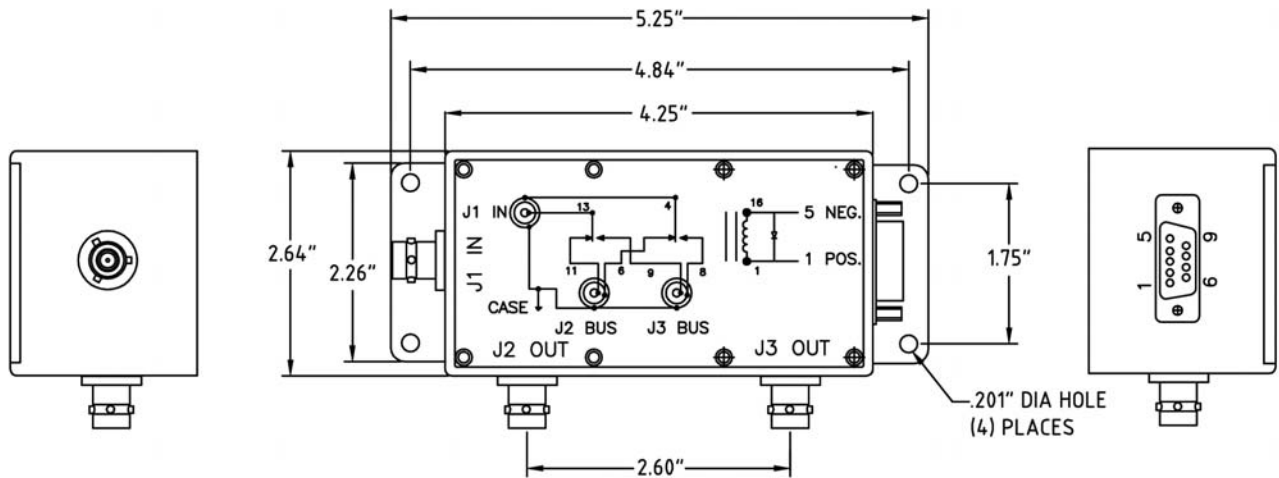


APPLICATION NOTE



BUS SWITCHING RELAYS

PART NUMBER	DESCRIPTION
90 50272	Bus Switching by Control Voltage 28 VDC
90 50273	Bus Switching by Control Voltage 5 VDC



1.0 ELECTRICAL RELAY SPECIFICATIONS:

- | | |
|-------------------------------|-------------------------|
| 1.1 NOMINAL VOLTAGE | AS NOTED ABOVE |
| 1.2 NOMINAL OPERATION CURRENT | 7.5 mA (+/- 10%) |
| 1.3 COIL RESISTANCE—Ohm | 3,200 (+/- 10%) |
| 1.4 NOMINAL UNIT WEIGHT | 10.1 OUNCES (286 GRAMS) |

2.0 MECHANICAL SPECIFICATIONS:

- 2.1 HOUSING: DIE CAST A380 ALUMINUM ALLOY. CLEAR ANODIZED AND PAINTED WITH TEXTURE. BAKED ENAMEL, COLOR BLUE.
- 2.2 COVER PLATE: 5052-H32 ALUMINUM, SATIN FINISH.
- 2.3 CONNECTOR 10-06592 OR EQUIVALENT

3.0 ENVIRONMENTAL:

- 3.1 OPERATING TEMPERATURE -40 C TO + 70 C

Milestek®

MILESTEK CORPORATION
1506 INTERSTATE 35 WEST
DENTON, TX 76207
PHONE: 866.524.1553
FAX: 940.591.7086

PLEASE VISIT www.milestek1553.com FOR ADDITIONAL INFORMATION

DRAWN BY: MIKE GREENHILL	APPROVED BY: ROBERT PEREZ	DATE 08/07/09
TITLE: RELAYS	CAGE CODE: 4Z977	
DRAWING NO: 95272273	ISO 9001: 2008 CERTIFIED	REV: A
SCALE: NOT TO SCALE	TOLERANCE: <.1+/.1 .01/>.1+/- .1	SHEET: 1 OF 1