

8

7

6

5

4

3

2

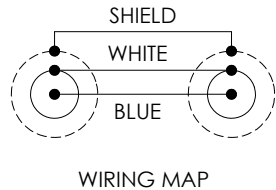
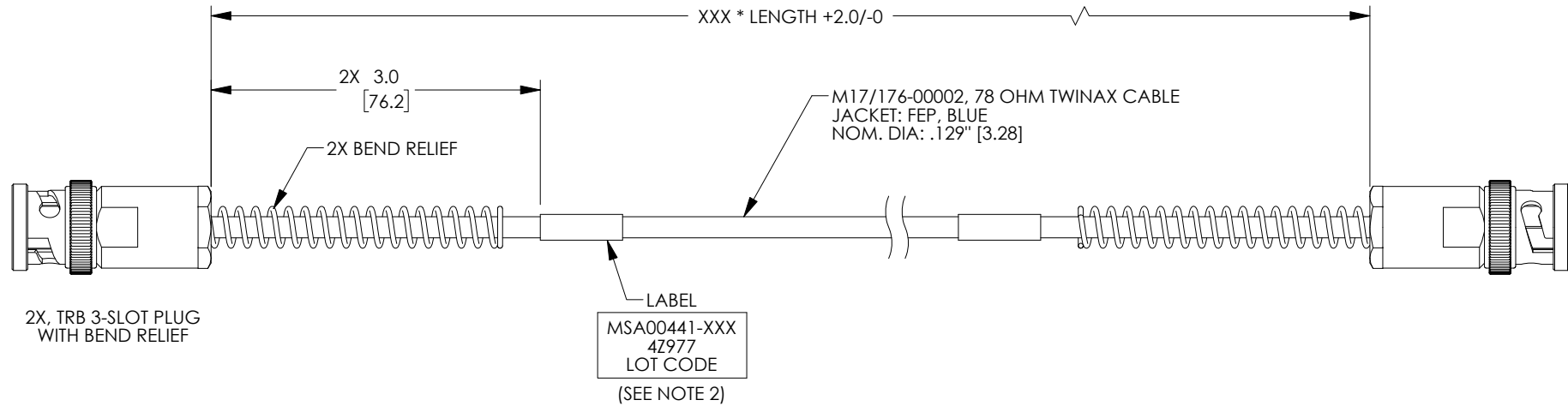
1

PROPRIETARY NOTICE

This document discloses confidential subject matter in which MilesTek Corporation and its subsidiaries have proprietary rights. Neither receipt nor possession thereof confers or transfers any right to reproduce or disclose the document, any part thereof, any information contained therein, or any physical article or device, or to practice any method or process, except by written permission from, or written agreement with MilesTek Corporation and its subsidiaries.

# LEAD FREE SOLDER

REVISIONS			
REV	DESCRIPTION	DATE	APPROVED
A	INITIAL RELEASE	01/24/2019	DFRISIELLO



MODEL NUMBER	LENGTH METERS [FEET]
MSA00441-03M	0.3 [1.0]
MSA00441-05M	0.5 [1.64]
MSA00441-075M	0.75 [2.46]
MSA00441-1M	1.0 [3.28]
MSA00441-2M	2.0 [6.56]
MSA00441-3M	3.0 [9.84]
MSA00441-4M	4.0 [13.12]
MSA00441-6M	6.0 [19.69]

NOTES:

- \*XXX = LENGTH IN INCHES  
\*XXXM = LENGTH IN METERS
- CABLES 48" AND UNDER HAVE 1 LABEL CENTERED. CABLES OVER 48" HAVE 2 LABELS, ONE AT EACH END 3.0" FROM THE BACK OF THE CONNECTOR.
- CABLE ASSEMBLY SHALL BE TESTED FOR CONTINUITY.
- ALL MATERIALS USED ARE CERTIFIED RoHS COMPLIANT.

UNLESS OTHERWISE SPECIFIED ALL DIMENSIONS ARE IN INCHES  OVERALL CABLE LENGTH TOLERANCE: ≤12 [305] = +1 [25] / -0 >12 [305] ≤60 [1524] = +2 [51] / -0 >60 [1524] ≤120 [3048] = +4 [102] / -0 >120 [3048] ≤300 [7620] = +6 [152] / -0 >300 [7620] = +5% / -0%  ALL OTHER DIMENSIONAL TOLERANCES: X = ± 2 [5.08] XX = ± .02 [51] XXX = ±.005 [13]  CUSTOMER REFERENCE DOCUMENT:	SIGNATURE DFRISIELLO	DATE 01/24/2019	<p>MILESTEK CORPORATION 301 LEORA LANE, SUITE 100 LEWISVILLE, TX 75056 PHONE: (940) 484-9400 FAX: (940) 566-1047</p>	
	CHECKED BY: MHEARN	01/24/2019		TITLE LEAD FREE HT 1553 TWNX PBR-PBR
	APPROVED BY: MHEARN	01/24/2019	CONFIGURATION DETAILS OF UNDIMENSIONED FEATURES MAY VARY	SIZE <b>A</b>
	CAGE CODE: 4Z977	DRAWING NUMBER: MSA00441	REV. A	SCALE: NTS

8

7

6

5

4

3

2

1

A

B

D

D

C

B

A

1

A

D

C