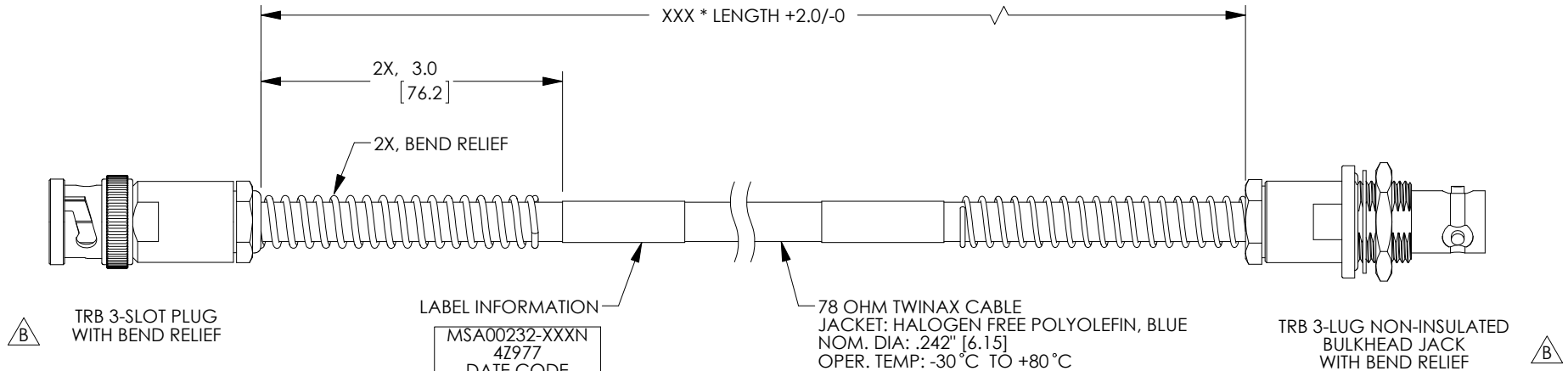


PROPRIETARY NOTICE

This document discloses confidential subject matter in which MilesTek Corporation and its subsidiaries have proprietary rights. Neither receipt nor possession thereof confers or transfers any right to reproduce or disclose the document, any part thereof, any information contained therein, or any physical article or device, or to practice any method or process, except by written permission from, or written agreement with MilesTek Corporation and its subsidiaries.

REV	REVISIONS		
	DESCRIPTION	DATE	APPROVED
A	INITIAL RELEASE	06/30/17	J.YOU
B	ECN 8899: REVISE NOTE 1 TO NOTE 2, DESCRIPTIONS, ADDED DETAIL	8/29/17	D.FRISIELLO

MSA00232-XXXX
A



TRB 3-SLOT PLUG WITH BEND RELIEF

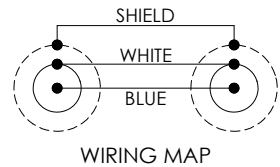
LABEL INFORMATION

MSA00232-XXXX
4Z977
DATE CODE

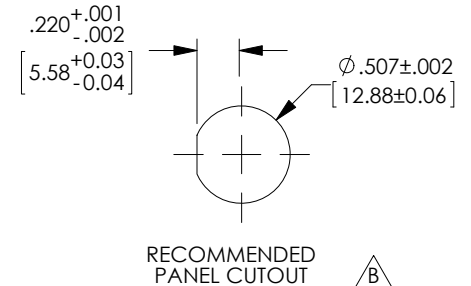
(SEE NOTE 2)

78 OHM TWINAX CABLE
JACKET: HALOGEN FREE POLYOLEFIN, BLUE
NOM. DIA: .242" [6.15]
OPER. TEMP: -30°C TO +80°C

TRB 3-LUG NON-INSULATED BULKHEAD JACK WITH BEND RELIEF



LENGTH CODE CHART		
CABLE # & LENGTH	LENGTH SYMBOL	EXAMPLES OF PART # USED
MSA00232-XXXX	WHERE XXX = LENGTH IN INCHES	MSA00232-12N (12.0 INCHES)



NOTES:

- *XXX = LENGTH IN INCHES
- CABLES 48" AND UNDER HAVE 1 LABEL CENTERED. CABLES OVER 48" HAVE 2 LABELS, ONE AT EACH END 3.0" FROM THE BACK OF THE CONNECTOR.
- CABLE ASSEMBLY SHALL BE TESTED FOR CONTINUITY.

NON CONTROLLED DRAWING IF PRINTED

AS9100C CERTIFIED			CAD SYSTEM DRAWING - DO NOT REVISE MANUALLY				
			UNLESS OTHERWISE SPECIFIED ALL DIMENSIONS ARE IN INCHES	SIGNATURE	DATE		MILESTEK CORPORATION 1506 INTERSTATE 35 WEST DENTON, TX 76207 PHONE: 866.524.1553 FAX: 940.591.7086
			OVERALL CABLE LENGTH TOLERANCE: ≤12 [305] = +1 [25] / -0 >12 [305] ≤60 [1524] = +2 [51] / -0 >60 [1524] ≤120 [3048] = +4 [102] / -0 >120 [3048] ≤300 [7620] = +6 [152] / -0 >300 [7620] = +5% / -0%	DRAWN BY: J.YOU CHECKED BY: M.HEARN APPROVED ENGINEERING: M.HEARN APPROVED MANUFACTURING: CUSTOMER APPROVAL 	06/30/17		
			ALL OTHER DIMENSIONAL TOLERANCES: .X = ±.2 [5.08] .XX = ±.02 [5.1] .XXX = ±.005 [1.3]	CUSTOMER REFERENCE DOCUMENT:		TITLE	
DASH	NEXT ASSY	USED ON		CAGE CODE: 42977		HF TWN PBR-NI BHJBR	
APPLICATION				DRAWING NUMBER:		MSA00232-XXXX	
				SCALE: NTS		SHEET 1 OF 1	